

STAR

FABRICATION

LIMITED

LIGHT MOUNTING & CHAIN STORAGE SOLUTIONS

- Specializing in light boxes, swing-out light arms, and tire chain hangers for the transportation industry
- Suitable for weld-on or bolt-on applications
- Steel, aluminum, & stainless steel, construction
- Competitive pricing

Ph: 877-853-2201

Fax: 780-957-3194

Email: sales@starfab.net

www.starfab.net

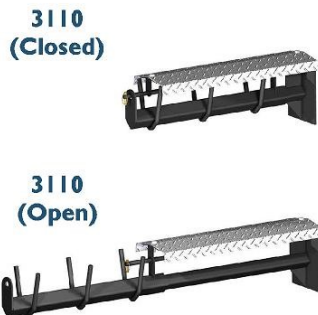
LIGHT MOUNTING & CHAIN STORAGE SOLUTIONS

LIGHT BOXES



MANY MORE LIGHT BOXES AVAILABLE!

TIRE CHAIN HANGERS



3130 With Roller Bearings (Closed)



LOAD BINDER & CHAIN HANGERS





Since 1992, Star Fabrication has been manufacturing light boxes and chain hangers for the transportation industry. Through the years, many new products have been developed and added to our product line. Consistent quality and prompt shipping are two of our important commitments to our customers. We manufacture and stock a full line of truck and trailer light boxes, available in steel, aluminum, and stainless steel, and a wide variety of tire chain hangers.

Please take a look at what we have to offer and contact us today for more information or to order any of our products.

Ph: 877-853-2201

Fax: (780) 957-3194

Email: sales@starfab.net

Website: www.starfab.net

Light Box & Chain Hanger Division

26243 Township Road 712

Crooked Creek, AB T0H 0Y0

Table of Contents

Part #	Description	Page #
LIGHT BOXES		
14 Gauge Mild Steel Unless Otherwise Stated		
I010	Single Marker Light Box Uses 2 1/2" Light	Pg. 12
I010-S	Single Marker Light Box Uses 2" Light	Pg. 12
I012	Single Marker Light Box (Sloped Ends) Uses 2 1/2" Light	Pg. 13
I020	Bi-directional Marker Light Box Uses 2 1/2" Lights	Pg. 13
I020-S	Bi-directional Marker Light Box Uses 2" Lights	Pg. 13
I021	Corner Marker Light Box (4 5/8" Long) Uses 2 1/2" Lights	Pg. 14
I021-S	Corner Marker Light Box (4 5/8" Long) Uses 2" Lights	Pg. 14
I022	Corner Marker Light Box (3 3/4" Long) Uses 2 1/2" Lights	Pg. 14
I022-S	Corner Marker Light Box (3 3/4" Long) Uses 2" Lights	Pg. 14
I023	Bi-directional Double Marker Light Box Uses 2 1/2" Lights	Pg. 15
I023-S	Bi-directional Double Marker Light Box Uses 2" Lights	Pg. 15
I024	Bi-directional Marker Light Box Uses 2 1/2" Lights	Pg. 15
I025	Bi-directional Corner Marker Light Box Uses 2 1/2" Lights	Pg. 16
I026	Double Marker Light Box Uses 2 1/2" Lights	Pg. 16
I030	Corner Angled Marker Light Box Uses 2 1/2" Lights	Pg. 17
I031-P	Angled Marker Light Box Uses 2 1/2" Light	Pg. 17
I032-P	45° Angle Marker Light Box Uses 2 1/2" Light	Pg. 18
I040	Single Oval Light Box	Pg. 19
I041	Bi-directional Oval Light Box	Pg. 19
I042	Bi-directional Offset Oval Light Box	Pg. 20
I043	Single Oval Tail Light Box with 2 1/2" Side Marker	Pg. 20
I044	Double Oval Tail Light Box	Pg. 21
I045	Single Oval Light Box (Sloped Ends)	Pg. 21
I046	Triple Slanted Oval Light Box - Right Hand	Pg. 22
I047	Triple Slanted Oval Light Box - Left Hand	Pg. 22
I048	Double Slanted Oval Light Box - Right Hand	Pg. 23
I049	Double Slanted Oval Light Box - Left Hand	Pg. 23

Table of Contents

Part #	Description	Page #
I050	Triple Identification Light Box Uses 2 1/2" Lights	Pg. 24
I050-S	Triple Identification Light Box Uses 2" Lights	Pg. 24
I051	Short Triple Identification Light Box Uses 2 1/2" Lights	Pg. 24
I051-S	Short Triple Identification Light Box Uses 2" Lights	Pg. 25
I059	Triple Identification Light Box with Centre Oval Uses Two 2-1/2" and One Oval Light	Pg. 25
I060	Single Tail Light Box Uses 4" Light	Pg. 26
I061	Bi-directional Light Box Uses 4" Lights	Pg. 26
I063	Single Tail Light Box with Side Marker Uses One 4" and One 2 1/2" Light	Pg. 27
I065	Triple Marker and Double Tail / Signal Light Bar Uses 4" and 2" Lights	Pg. 27
I070	Double Tail Light Box Uses 4" Lights 14 gauge	Pg. 28
I070-HD	Double Tail Light Box Uses 4" Lights 10 gauge	Pg. 28
I071	Flanged Double Tail Light Box Uses 4" Lights	Pg. 28
I072	Double Tail and Side Marker Light Box Uses 4" Lights and One 2 1/2" Light, 14 Gauge	Pg. 29
I072-HD	Double Tail and Side Marker Light Box Uses 4" Lights and One 2 1/2" Light, 10 Gauge	Pg. 29
I073	Triple Tail Light Box Uses 4" Lights	Pg. 29
I073-M	Triple Tail and Side Marker Light Box Uses 4" Lights and one 2 1/2" Light	Pg. 30
I075	Corner Marker and Tail Light Box - Left Hand Uses 2 1/2" and 4" Lights	Pg. 30
I076	Corner Marker and Tail Light Box - Right Hand Uses 2 1/2" and 4" Lights	Pg. 30
I077	Quadruple Tail / Signal Light Box Uses 4" Lights	Pg. 31
I080	Alberta Cab Guard Light Box Uses Four Oval Lights 12 Gauge	Pg. 31
I081	Alberta Cab Guard Light Box Uses Four Oval Lights 14 Gauge	Pg. 31
I081-M	Double Oval Light Box Uses Oval Lights and One 2 1/2" Light	Pg. 32
I082	Double Oval Light Box	Pg. 32
I083	Triple Oval Light Box	Pg. 33
I084	Quadruple Oval Light Box, 6" face	Pg. 33
I084-S	Quadruple Oval Light Box, 4" Face	Pg. 34
I086	Triple Oval Light Box	Pg. 34
I090	Alberta Cab Guard Light Box & Tube Uses Four Oval Lights with 1 1/4" Tube, 12 Gauge Box	Pg. 35
I090KA	Alberta Cab Guard Light Box & Tube Uses Four Oval Lights with 1 1/2" Tube, 12 Gauge Box	Pg. 35
I092	Alberta Cab Guard Light Box & Tube Uses Four Oval Lights with 1 1/4" Tube, 14 Gauge Box	Pg. 33
I093	Alberta Cab Guard Light Box & Tube, Left-hand Uses 1 1/2" Tube (offset), 14 Gauge Box	Pg. 35

Table of Contents

Part #	Description	Page #
1094	Alberta Cab Guard Light Box & Tube, Right-hand Uses 1 1/2" Tube (offset), 14 Gauge Box	Pg. 37
1110	Single Angle Light Box Uses 2 1/2" Light	Pg. 37
1111	Single Angle Light Box Uses 2 1/2" Light	Pg. 38
1111-S	Single Angle Light Box Uses 2" Light	Pg. 38
1130	Single Angle Bidirectional Oval Light Box, 10 GA	Pg. 39
1131	Single Angle Bidirectional Oval Light Box, 10 GA, Narrow	Pg. 39
1312	Single Marker Light Cup Uses One 2-1/2" Light	Pg. 40
1410	Single Tail Light Box Uses One 45 Series Light	Pg. 40
1420	Double Tail Light Box Uses Tow 45 Series Lights	Pg. 40
1465	8' 6" Light Bar Uses 4" and 2" Lights with 2" Side Markers	Pg. 41

ALUMINUM LIGHT BOXES & BRACKETS

1/8" Aluminum

AL1010	Single Marker Light Box Uses 2 1/2" Light, Aluminum	Pg. 12
AL1010-S	Single Marker Light Box Uses 2" Light, Aluminum	Pg. 12
AL1012	Single Marker Light Box (Sloped Ends) Uses 2 1/2" Light, Aluminum	Pg. 13
AL020	Bi-directional Marker Light Box Uses 2 1/2" Lights, Aluminum	Pg. 13
AL1023	Bi-directional Double Marker Light Box Uses 2 1/2" Lights, Aluminum	Pg. 15
AL1030	Corner Angled Marker Light Box Uses 2 1/2" Lights, Aluminum	Pg. 17
AL1040	Single Oval Light Box, Aluminum	Pg. 19
AL1041	Bi-directional Oval Light Box, Aluminum	Pg. 19
AL1044	Double Oval Tail Light Box, Aluminum	Pg. 21
AL1045	Single Oval Light Box (Sloped Ends), Aluminum	Pg. 21
AL1046	Triple Slanted Oval Light Box - Right Hand, Aluminum	Pg. 22
AL1047	Triple Slanted Oval Light Box - Left Hand, Aluminum	Pg. 22
AL1048	Double Slanted Oval Light Box - Right Hand, Aluminum	Pg. 23
AL1049	Double Slanted Oval Light Box - Left Hand, Aluminum	Pg. 23
AL1050	Triple Identification Light Box Uses 2 1/2" Lights, Aluminum	Pg. 24
AL1060	Single Tail Light Box Uses 4" Light, Aluminum	Pg. 26

Table of Contents

Part #	Description	Page #
AL1070	Double Tail Light Box Uses 4" Lights 14 gauge, Aluminum	Pg. 28
AL1071	Flanged Double Tail Light Box Uses 4" Lights, Aluminum	Pg. 28
AL1072	Double Tail and Side Marker Light Box Uses 4" Lights and One 2 1/2" Light, 14 Gauge, Aluminum	Pg. 29
AL1073	Triple Tail Light Box Uses 4" Lights, Aluminum	Pg. 29
AL1073-M	Triple Tail and Side Marker Light Box Uses 4" Lights and one 2 1/2" Light, Aluminum	Pg. 30
AL1080	Alberta Cab Guard Light Box Uses Four Oval Lights, Aluminum	Pg. 31
AL1090	Alberta Cab Guard Light Box & Tube Uses Four Oval Lights with 1 1/2" Tube, Aluminum	Pg. 37
AL1110	Single Angle Light Box Uses 2 1/2" Light, Aluminum	Pg. 37
AL1111	Single Angle Light Box Uses 2 1/2" Light, Aluminum	Pg. 38
AL4140	Single Oval Light Bracket, Aluminum	Pg. 46
AL4160	Single Tail Light Bracket Uses 4" Light, Aluminum	Pg. 47

STAINLESS STEEL LIGHT BOXES**14 Gauge 304 2B Stainless**

SS1010	Single Marker Light Box Uses 2 1/2" Light, Stainless Steel	Pg. 12
SS1020	Bi-directional Marker Light Box Uses 2 1/2" Lights, Stainless Steel	Pg. 13
SS1040	Single Oval Light Box, Stainless Steel	Pg. 19
SS1044	Double Oval Tail Light Box, Stainless Steel	Pg. 21
SS1050	Triple Identification Light Box Uses 2 1/2" Lights, Stainless Steel	Pg. 24
SS1060	Single Tail Light Box Uses 4" Light, Stainless Steel	Pg. 26
SS1070	Double Tail Light Box Uses 4" Lights 14 gauge, Stainless Steel	Pg. 28
SS1073	Triple Tail Light Box Uses 4" Lights, Stainless Steel	Pg. 29

OPEN BACK LIGHT BOXES

2010	Single Marker Open Back Light Box Uses 2 1/2" Light	Pg. 44
2010-S	Single Marker Open Back Light Box Uses 2" Light	Pg. 44
2040	Single Oval Open Back Light Box	Pg. 44
2050	Triple Identification Open Back Light Box Uses 2 1/2" Lights	Pg. 45
4160	Single Tail Light Bracket Uses 4" Light	Pg. 47
4170	Double Tail Light Bracket Uses 4" Lights	Pg. 47

Table of Contents

Part #	Description	Page #
LIGHT BRACKETS		
4110	Single Marker Light Bracket Uses 2 1/2" Light	Pg. 45
4110-S	Single Marker Light Bracket Uses 2" Light	Pg. 46
4140	Single Oval Light Bracket	Pg. 46
RECEIVER TUBES		
1091	Receiver Tube to Slip Over Tube on Part No.1090 & 1092	Pg. 36
1095	Receiver Tube to Slip Over Tube on Part No. 1090KA, 1093,& 1094	Pg. 36
AL1091	Aluminum Receiver Tube to Slip Over Tube on Part No. AL1090	Pg. 36
SWING-OUT & PULL-OUT LIGHT ARMS		
1201	Spring-loaded Swing-Out Light Arm - Right-hand	Pg. 42
1202	Spring-loaded Swing-Out Light Arm - Left-hand	Pg. 42
1201-20	Spring-loaded Swing-Out Light Arm Uses Two 2 1/2" Lights, Right Hand	Pg. 42
1202-20	Spring-loaded Swing-Out Light Arm Uses Two 2 1/2" Lights, Left Hand	Pg. 42
1201-20X	Spring-loaded Swing-Out Light Arm Uses Two 2 1/2" Lights, Right Hand (Extra Length)	Pg. 42
1202-20X	Spring-loaded Swing-Out Light Arm Uses Two 2 1/2" Lights, Left Hand (Extra Length)	Pg. 42
1206-20	Pull-out Light Arm Uses Two 2 1/2" Lights	Pg. 43
AL1275	Aluminum Pull-Out Light Arm Uses Two 2 1/2" Lights	Pg. 43
REAR LOG LIGHTS		
4168LT	LED Rear Log Light, Uses 4 AA batteries and LED Light	Pg. 48
4169	Single Rear Log Light Bracket Uses 4" Light	Pg. 48

Table of Contents

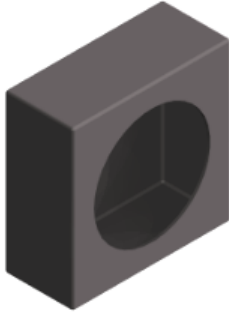
Part #	Description	Page #
CHAIN HANGERS, HOOKS, & LOAD BINDER LOCKS		
3100	Retractable Tire Chain Hanger	Pg. 51
3110	Covered Retractable Tire Chain Hanger	Pg. 52
3110-S	Covered Retractable Tire Chain Hanger, Short Version, 30"	Pg. 52
3112	Covered Retractable Tire Chain Hanger with Clip-on Base	Pg. 53
3112-S	Covered Retractable Tire Chain Hanger with Clip-on Base, Short Version, 30"	Pg. 53
3120	Retractable Tire Chain Hanger with Roller Bearings	Pg. 54
3130	Covered Retractable Tire Chain Hanger with Roller Bearings	Pg. 54
3139	Covered Retractable Tire Chain Hanger with Roller Bearings, Short Version, 29-1/2"	Pg. 54
3145	Retractable Tire Chain Hanger with Slotted Bottom and Rounded Hooks	Pg. 55
3155L	Tire Chain Hanger With Removable Aluminum Checker Plate Lid, Left Hand	Pg. 56
3155R	Tire Chain Hanger With Removable Aluminum Checker Plate Lid, Right Hand	Pg. 56
3155L-W	Tire Chain Hanger With Removable Aluminum Checker Plate Lid, Left Hand, Extra Long	Pg. 56
3155R-W	Tire Chain Hanger With Removable Aluminum Checker Plate Lid, Right Hand, Extra Long	Pg. 56
3160L	Tire Chain Hanger With Aluminum Lid and Mounting Surface for 45 Degree Mud Flap, LH	Pg. 58
3160R	Tire Chain Hanger With Aluminum Lid and Mounting Surface for 45 Degree Mud Flap, RH	Pg. 58
3170	Tire Chain Hanger With Securing Chain and Clip	Pg. 60
3171	Tire Chain Hanger With Securing Chain and Clip, Angled up 7 Degrees	Pg. 60
3175L	Tire Chain Hanger With Securing Round Rod, Left-Hand	Pg. 60
3175R	Tire Chain Hanger With Securing Round Rod, Right-Hand	Pg. 60
3180L	Tire Chain Hanger with Flat Bar Hooks and Aluminum Checker Plate Cover, LH	Pg. 61
3180R	Tire Chain Hanger with Flat Bar Hooks and Aluminum Checker Plate Cover, RH	Pg. 61
3180LR	Set of Tire Chain Hangers, 3180L & 3180R	Pg. 61
3180L-W	Tire Chain Hanger, 3180L Style - Long Version - 34" Overall Length	Pg. 61
3180R-W	Tire Chain Hanger, 3180R Style - Long Version - 34" Overall Length	Pg. 61
3180L-S	Tire Chain Hanger, 3180L Style - Short Version - 27-1/2" Overall Length	Pg. 61
3180R-S	Tire Chain Hanger, 3180R Style - Short Version - 27-1/2" Overall Length	Pg. 61
3181L	NEW! Tire Chain Hanger with Smooth Aluminum Cover, 8" x 8" Base, No Mounting Holes, LH	Pg. 63
3181R	NEW! Tire Chain Hanger with Smooth Aluminum Cover, 8" x 8" Base, No Mounting Holes, RH	Pg. 63
3181LR	NEW! Set of Tire Chain Hangers, 3181L & 3181R	Pg. 63

Table of Contents

Part #	Description	Page #
3181NL	NEW! Tire Chain Hanger with 4" Narrow Base, Smooth Aluminum Cover, LH	Pg. 64
3181NR	NEW! Tire Chain Hanger with 4" Narrow Base, Smooth Aluminum Cover, RH	Pg. 64
3181NLR	NEW! Set of Tire Chain Hangers, 3181NL & 3181NR	Pg. 64
3182L	NEW! Tire Chain Hanger with Clip-on Base, Smooth Aluminum Cover, LH	Pg. 65
3182R	NEW! Tire Chain Hanger with Clip-on Base, Smooth Aluminum Cover, RH	Pg. 65
3182LR	NEW! Set of Tire Chain Hangers, 3182L & 3182R	Pg. 65
3182NL	NEW! Tire Chain Hanger with 4" Narrow Clip-on Base, Smooth Aluminum Cover, LH	Pg. 65
3182NR	NEW! Tire Chain Hanger with 4" Narrow Clip-on Base, Smooth Aluminum Cover, RH	Pg. 65
3182NLR	NEW! Set of Tire Chain Hangers, 3182NL & 3182NR	Pg. 65
3317	Load Binder Hanger with Aluminum Checker Plate Cover, 17"	Pg. 66
3317-PC	NEW! Load Binder Hanger with Aluminum Checker Plate Cover, 17" Powder Coated Black	Pg. 66
3321	Load Binder Hanger with Aluminum Checker Plate Cover, 21"	Pg. 66
3321-PC	NEW! Load Binder Hanger with Aluminum Checker Plate Cover, 21" Powder Coated Black	Pg. 66
3328	Load Binder Hanger with Aluminum Checker Plate Cover, 28"	Pg. 66
3350	Tire Chain Hanger, Longitudinally Mounted, Steel, with Checker Plate Aluminum Cover	Pg. 68
3480L	Tire Chain Hanger Extension, 3" with 4" Offset, Left Hand	Pg. 62
3480R	Tire Chain Hanger Extension, 3" with 4" Offset, Right Hand	Pg. 62
61205	Cable Type Load Binder Lock, 1/8"	Pg. 69
62205	Cable Type Load Binder Lock, 3/16"	Pg. 69
66205	Load Binder Lock	Pg. 69
7205	Aluminum Hook Latch, 5-1/2"	Pg. 70
7207	Aluminum Hook Latch, 8"	Pg. 71
7220	Hook, 3/4"	Pg. 70
7230	Hook, 1"	Pg. 71
 ALUMINUM LOAD BINDER HANGERS & CHAIN TRAY		
AL3317	Aluminum Load Binder Hanger with Aluminum Checker Plate Cover, 17"	Pg. 66
AL3321	Aluminum Load Binder Hanger with Aluminum Checker Plate Cover, 21"	Pg. 66
AL3342	21" Aluminum Chain Tray	Pg. 67

Table of Contents

Part #	Description	Page #
OTHER PRODUCTS		
3705	NEW! Wheel Chock Holder	Pg. 74
3828	Heater Duct Ring, 12" Diameter	Pg. 72
4380	Stake Pocket For General Use - Fits 2 X 4 Plank	Pg. 49
4655	Heavy Duty Mud Flap Anti Sail Bracket	Pg. 57
5011	Cam Tube Adaptor Plate	Pg. 49
6532	Stackable Sawhorse	Pg. 75
7312	Handle, 1/2" Round Rod	Pg. 73
7325	Handle, 3/4" Round Rod	Pg. 73
8100	Outdoor Receptacle Cover	Pg. 72



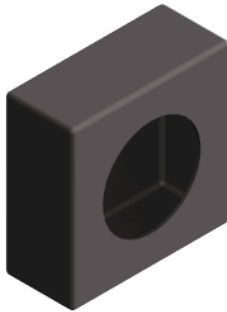
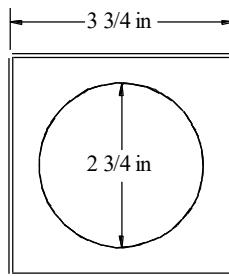
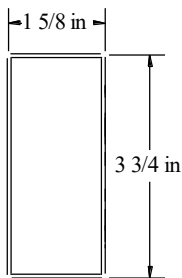
SINGLE MARKER LIGHT BOX

Mounts 2 1/2" rubber mounted sealed lamp

Part # I010
Steel

Part # ALI010
Aluminum

Part # SS1010
Stainless Steel

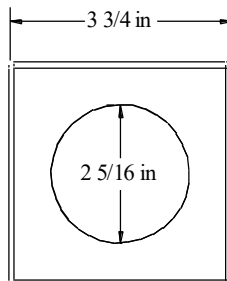
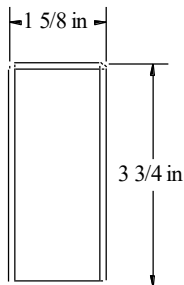


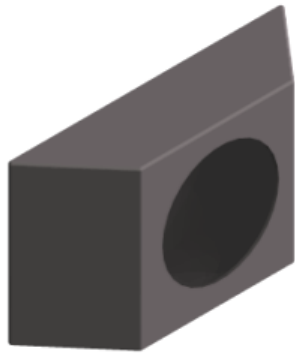
2" SINGLE MARKER LIGHT BOX

Mounts 2" rubber mounted sealed lamp

Part # I010-S
Steel

Part # ALI010-S
Aluminum



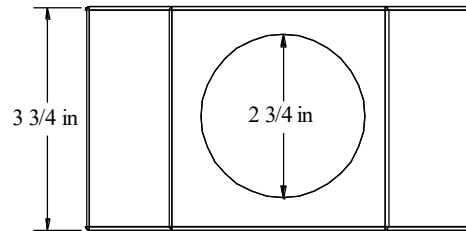
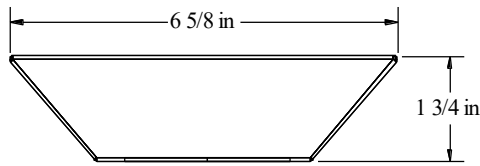


SINGLE MARKER LIGHT BOX—SLOPED ENDS

Mounts 2 1/2" rubber mounted sealed lamp

Part # 1012
Steel

Part # AL1012
Aluminum



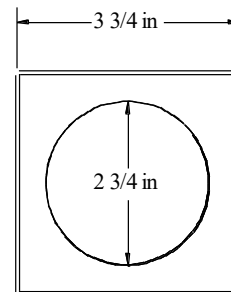
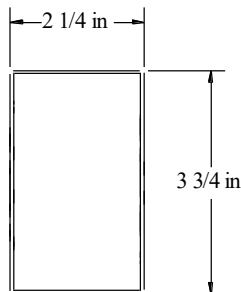
BI-DIRECTIONAL MARKER LIGHT BOX

Mounts two 2 1/2" rubber mounted sealed lamps



Part # 1020
Steel

Part # AL1020
Aluminum

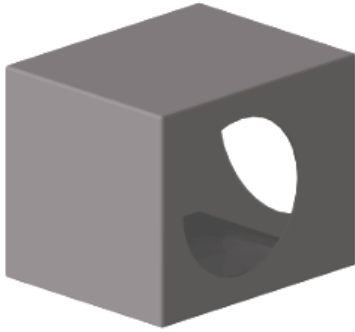


ALSO AVAILABLE: Part # 1020-S
Mounts two 2" rubber mounted sealed lamps

Part # 1020-S
Steel

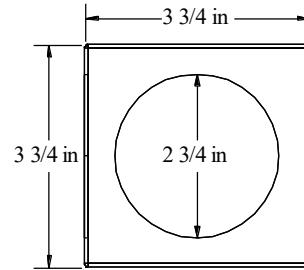
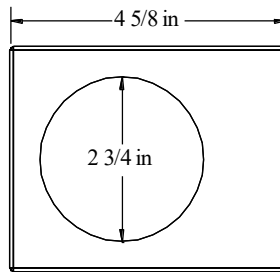
CORNER MARKER LIGHT BOX

Mounts two 2 1/2" rubber mounted sealed lamps



Part # 1021

Steel



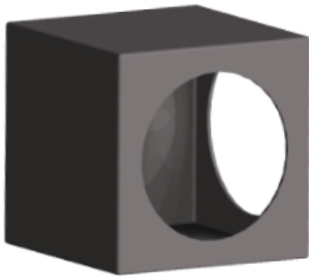
ALSO AVAILABLE: Part # 1021-S
Mounts two 2" rubber mounted sealed lamps

Part # 1021-S

Steel

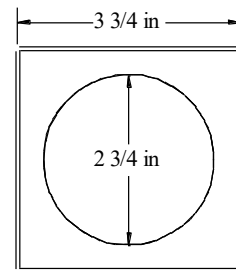
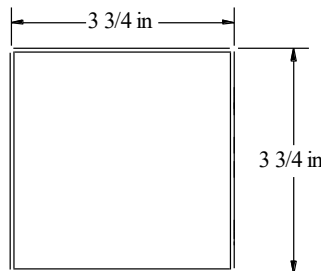
CORNER MARKER LIGHT BOX

Mounts two 2 1/2" rubber mounted sealed lamps



Part # 1022

Steel



ALSO AVAILABLE: Part # 1022-S
Mounts two 2" rubber mounted sealed lamps

Part # 1022-S

Steel

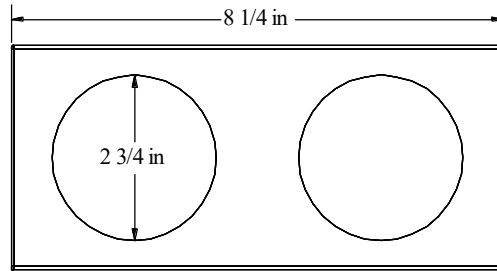
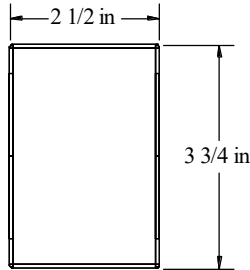


BI-DIRECTIONAL DOUBLE MARKER LIGHT BOX

Mounts four 2 1/2" rubber mounted sealed lamps

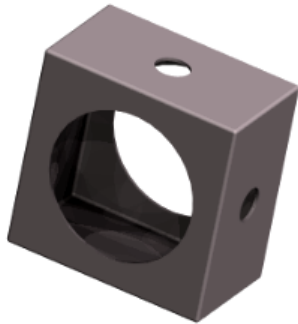
Part # I023
Steel

Part # ALI023
Aluminum



ALSO AVAILABLE: Part # 1023-S
Mounts four 2" rubber mounted sealed lamps

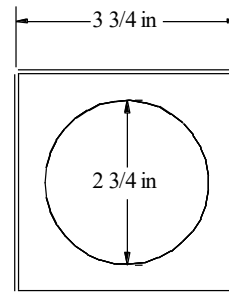
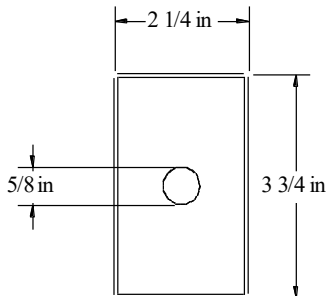
Part # 1023-S
Steel



BI-DIRECTIONAL MARKER LIGHT BOX

Mounts two 2 1/2" rubber mounted sealed lamps
c/w two 5/8" holes for mounting/wiring

Part # 1024
Steel

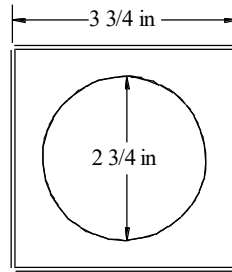
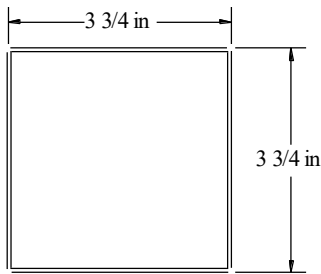
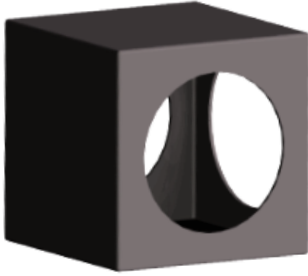


BI-DIRECTIONAL CORNER MARKER LIGHT BOX

Mounts three 2 1/2" rubber mounted sealed lamps

Part # 1025

Steel

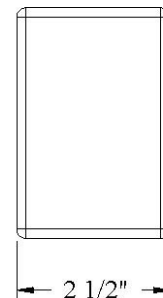
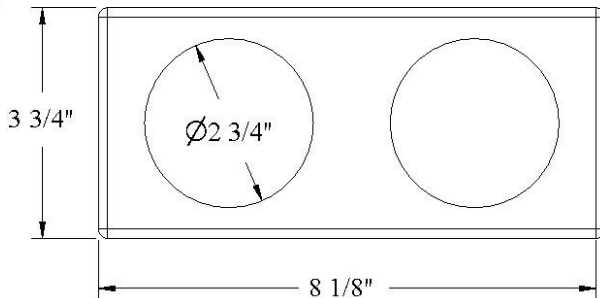
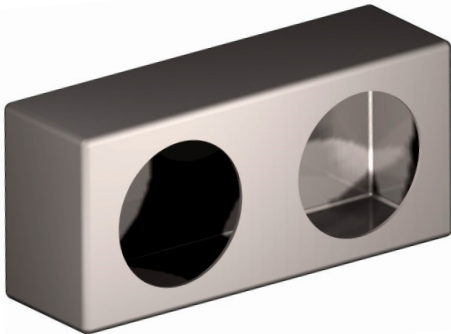


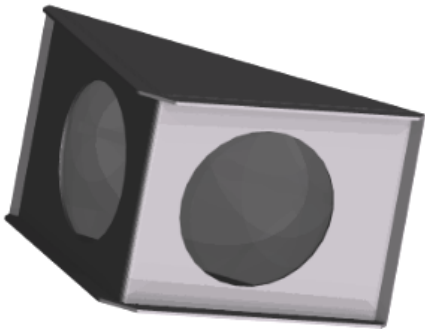
DOUBLE MARKER LIGHT BOX

Mounts two 2 1/2" rubber mounted sealed lamps

Part # 1026

Steel

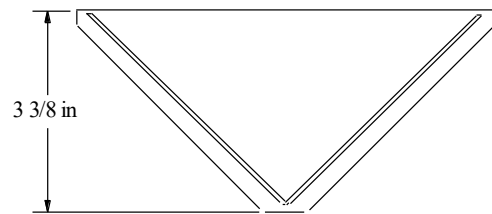
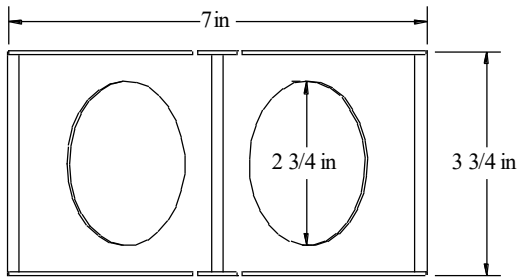




ANGLED CORNER MARKER LIGHT BOX
Mounts two 2 1/2" rubber mounted sealed lamps

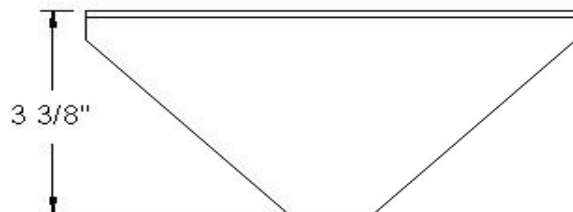
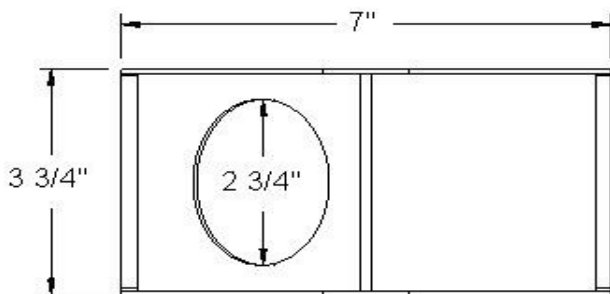
Part # I030
Steel

Part # ALI030
Aluminum



ANGLED MARKER LIGHT BOX
Mounts 2 1/2" rubber mounted sealed lamp

Part # I031-P
Steel

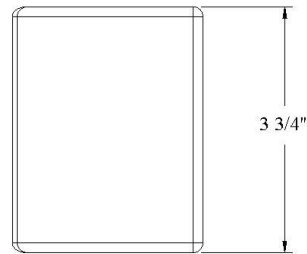
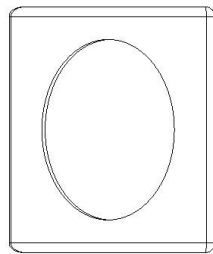
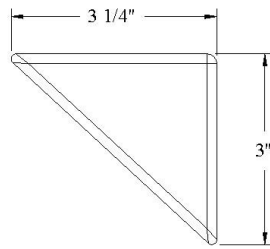


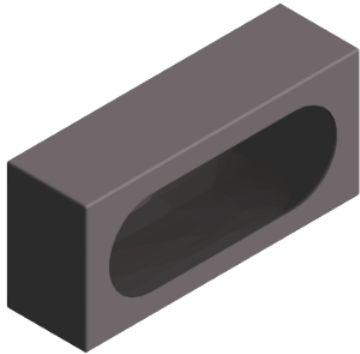
ANGLED MARKER LIGHT BOX

Mounts 2 1/2" rubber mounted sealed lamp



Part # 1032-P
Steel





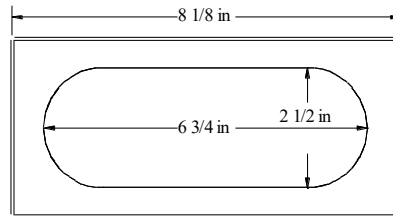
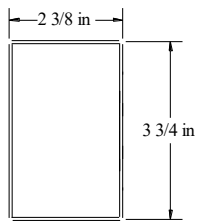
SINGLE OVAL LIGHT BOX

Mounts oval rubber mounted sealed lamp

Part # 1040
Steel

Part # AL1040
Aluminum

Part # SS1040
Stainless Steel

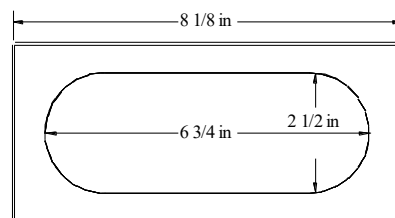
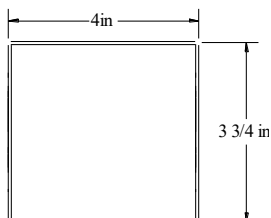


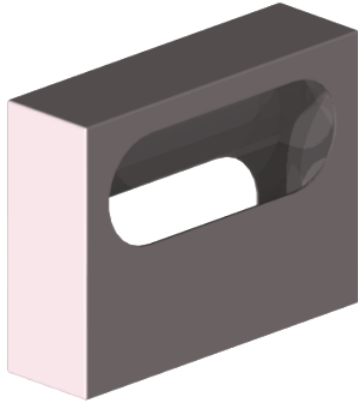
BI-DIRECTIONAL OVAL LIGHT BOX

Mounts two oval rubber mounted sealed lamps

Part # 1041
Steel

Part # AL1041
Aluminum



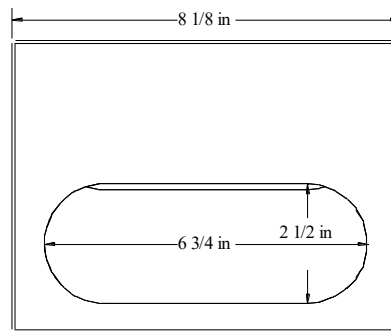
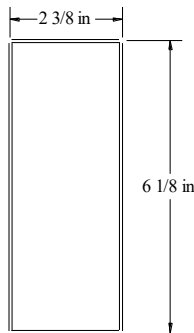


BI-DIRECTIONAL OFFSET OVAL LIGHT BOX

Mounts two oval rubber mounted sealed lamps

Part # 1042

Steel

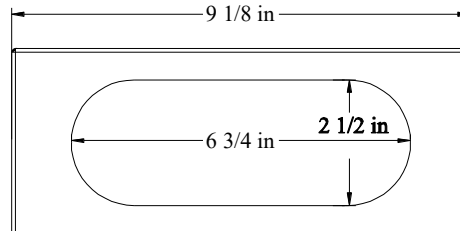
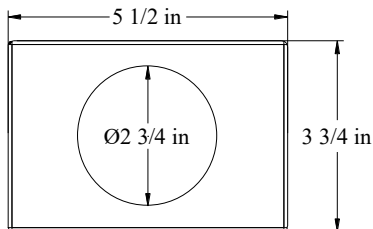
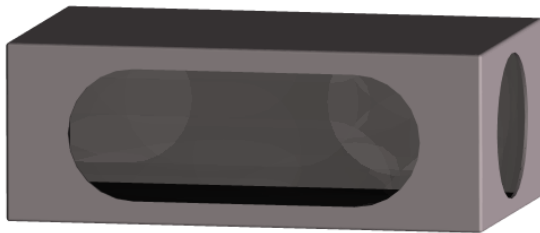


SINGLE OVAL TAIL LIGHT BOX WITH SIDE MARKER

Mounts one oval and one 2 1/2" rubber mounted sealed lamp

Part # 1043

Steel



ALSO AVAILABLE: Part # 1043-S

Mounts one oval and one 2" rubber mounted sealed lamp

Part # 1043-S

Steel

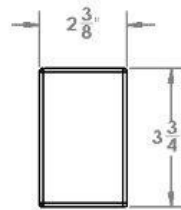
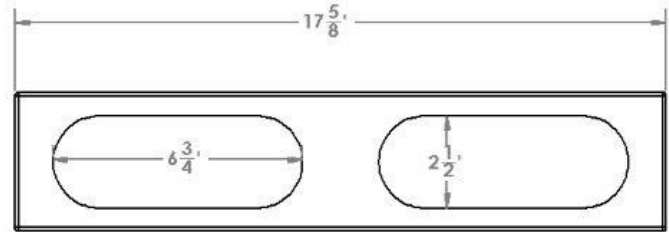
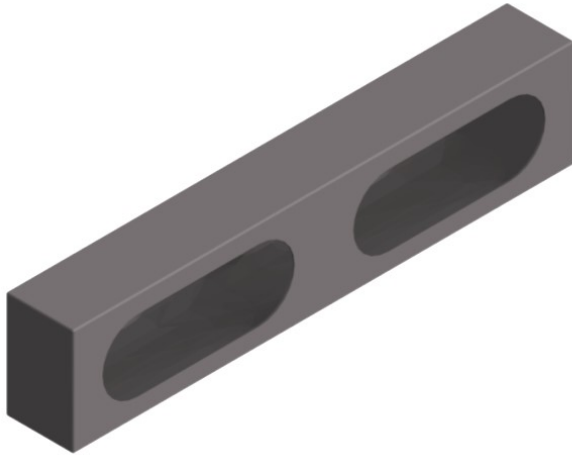
DOUBLE OVAL TAIL LIGHT BOX

Mounts two oval rubber mounted sealed lamps

Part # I044
Steel

Part # ALI044
Aluminum

Part # SSI044
Stainless Steel

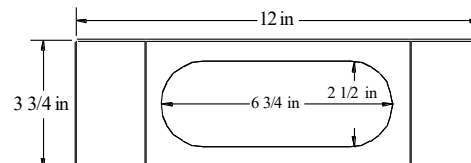
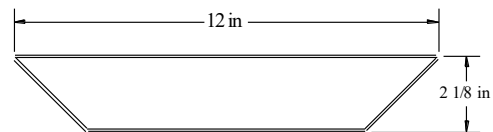
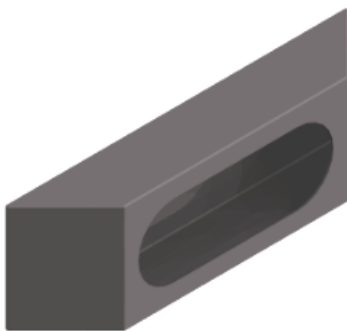


SINGLE OVAL LIGHT BOX - SLOPED ENDS

Mounts oval rubber mounted sealed lamp

Part # I045
Steel

Part # ALI045
Aluminum



TRIPLE SLANTED OVAL LIGHT BOX - R.H.

Mounts three oval rubber mounted sealed lamps

Part # 1046
Steel

Part # AL1046
Aluminum

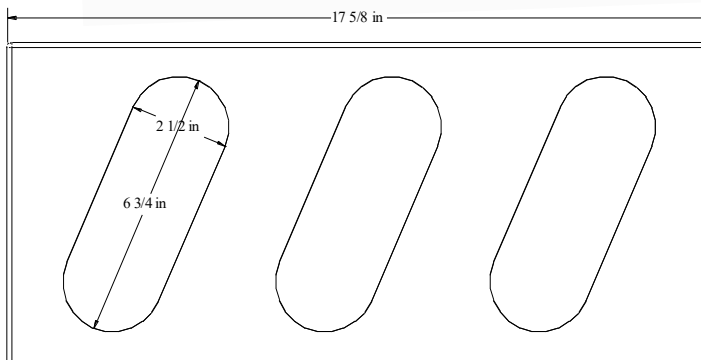
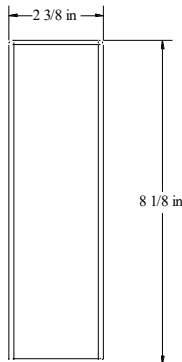


TRIPLE SLANTED OVAL LIGHT BOX - L.H.

Mounts three oval rubber mounted sealed lamps

Part # 1047
Steel

Part # AL1047
Aluminum



**DOUBLE SLANTED OVAL
LIGHT BOX - L.H.**

Mounts two oval rubber
mounted sealed lamps

Part # I049
Steel

Part # ALI049
Aluminum

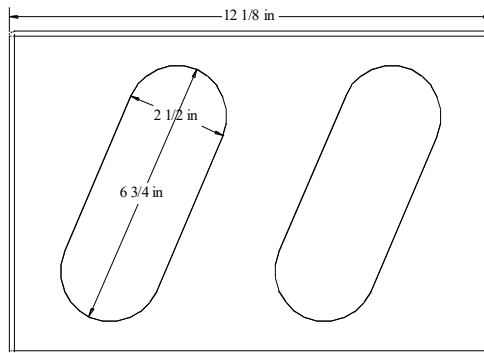
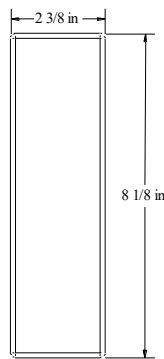


**DOUBLE SLANTED OVAL
LIGHT BOX - R.H.**

Mounts two oval rubber
mounted sealed lamps

Part # I048
Steel

Part # ALI048
Aluminum



TRIPLE IDENTIFICATION LIGHT BOX

Mounts three 2 1/2" rubber mounted sealed lamps

Part # 1050

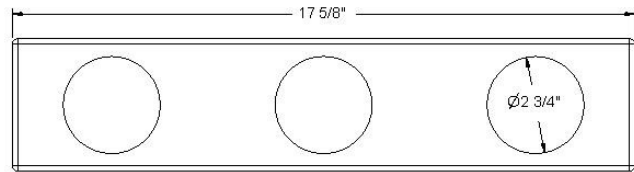
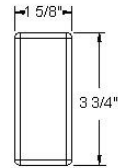
Steel

Part # AL1050

Aluminum

Part # SS1050

Stainless Steel

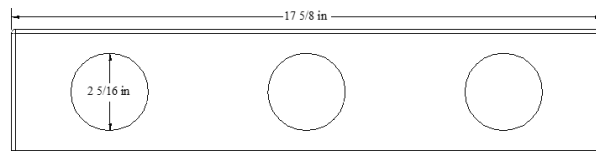
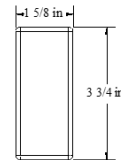
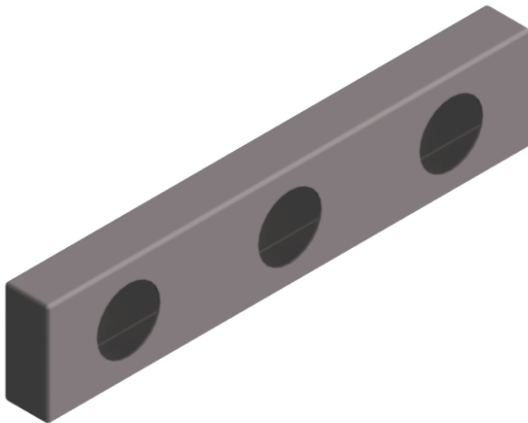


TRIPLE IDENTIFICATION LIGHT BOX

Mounts three 2 " rubber mounted sealed lamps

Part # 1050-S

Steel



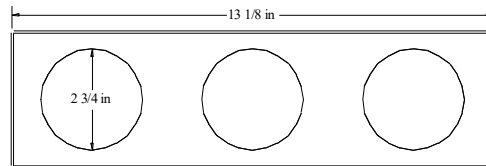
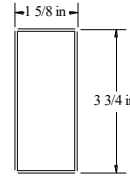
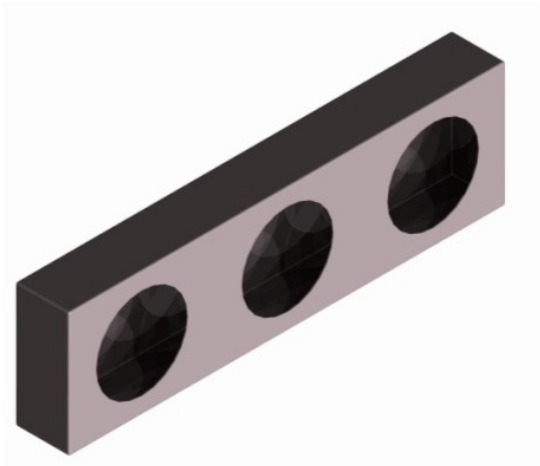
SHORT TRIPLE IDENTIFICATION LIGHT BOX

Mounts three 2 1/2" rubber mounted sealed lamps

NOTE: This box does not conform to D.O.T. standards (Light Spacing)

Part # 1051

Steel



ALSO AVAILABLE: Part # 1051-S
Mounts three 2" rubber mounted sealed lamps

Part # 1051-S

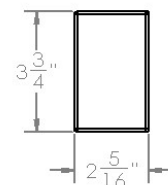
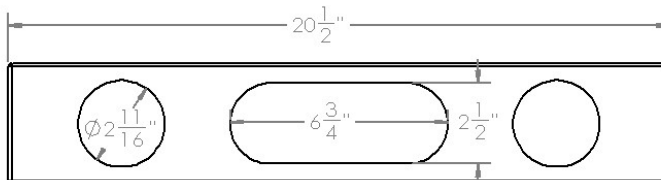
Steel

TRIPLE IDENTIFICATION LIGHT BOX WITH CENTER OVAL

Mounts two 2-1/2" and one oval rubber mounted sealed lamp

Part # 1059

Steel



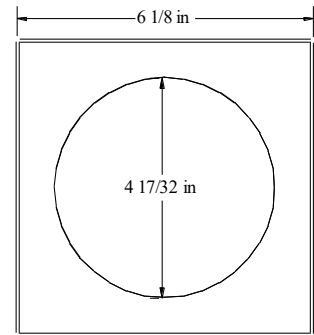
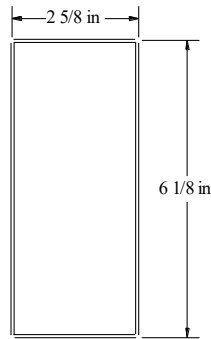
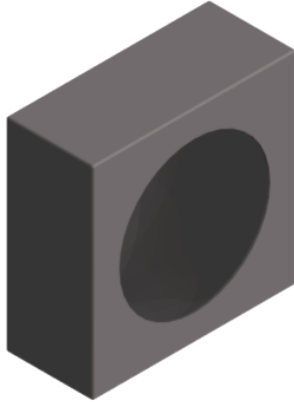
SINGLE TAIL LIGHT BOX

Mounts 4" rubber mounted sealed lamp

Part # I060
Steel

Part # ALI060
Aluminum

Part # SSI060
Stainless Steel

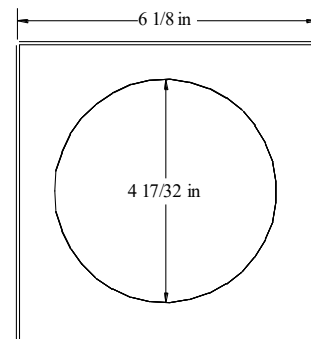
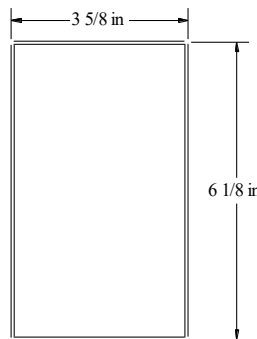


BI-DIRECTIONAL LIGHT BOX

Mounts two 4" rubber mounted sealed lamps

Part # I061
Steel

Part # ALI061
Aluminum

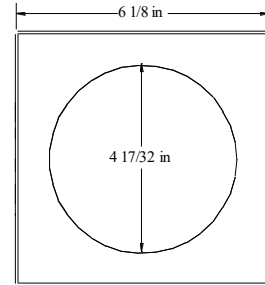
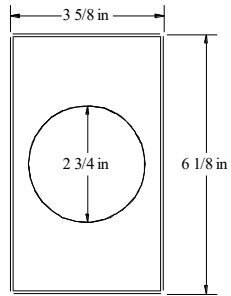
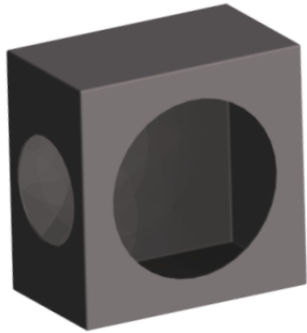


SINGLE TAIL LIGHT BOX WITH SIDE MARKER

Mounts one 4" and one 2 1/2" rubber mounted sealed lamp

Part # 1063

Steel

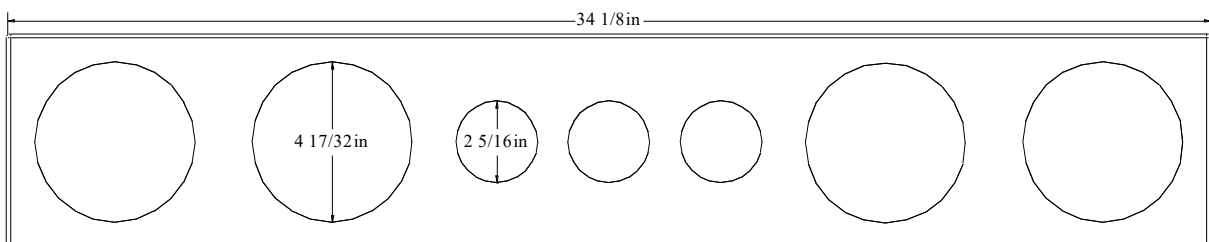
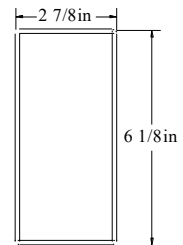
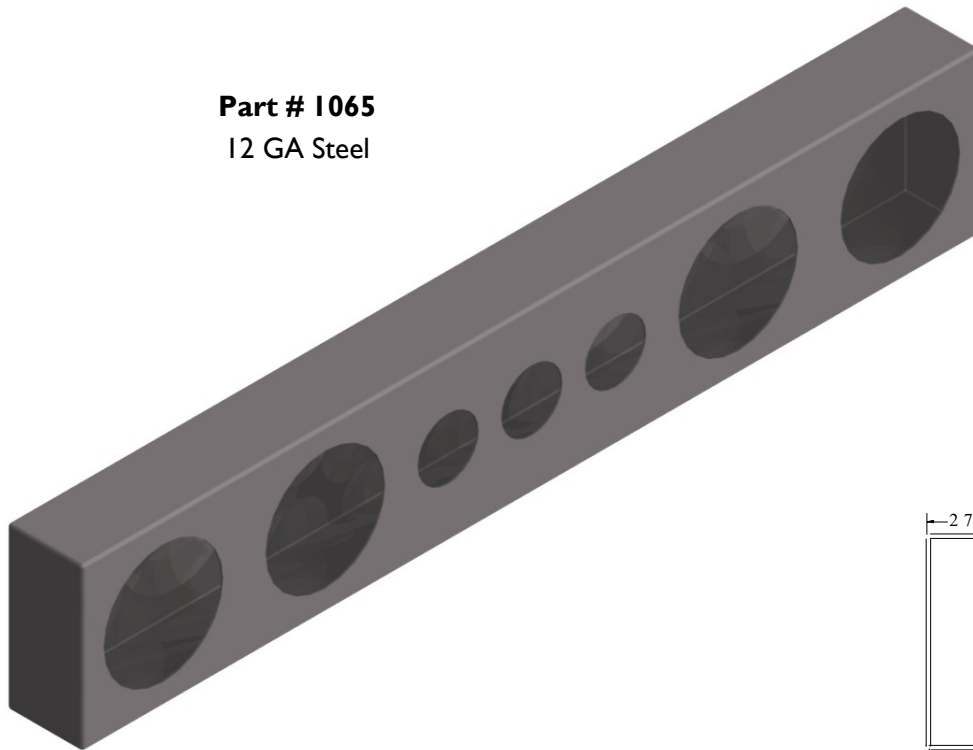


TRIPLE MARKER AND DOUBLE TAIL/SIGNAL LIGHT BAR

Mounts three 2" and four 4" rubber mounted sealed lamps

Part # 1065

12 GA Steel



DOUBLE TAIL LIGHT BOX

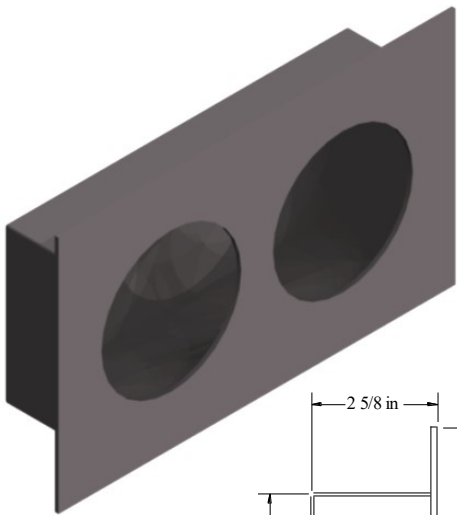
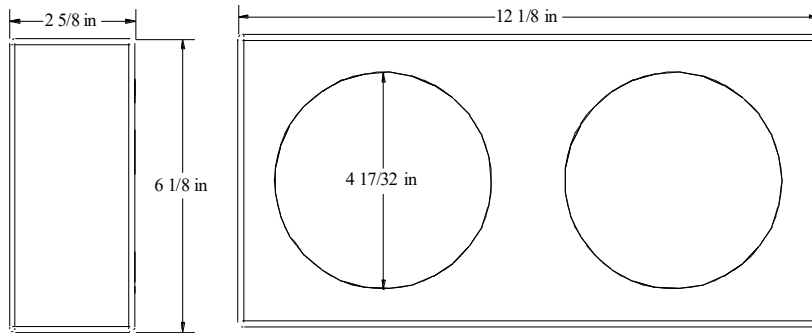
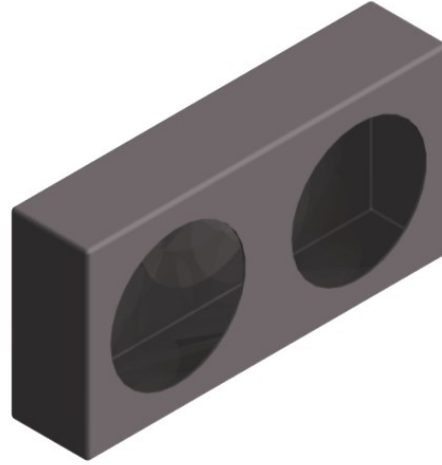
Mounts two 4" rubber mounted sealed lamps

Part # I070
14 GA Steel

Part # I070-HD
10 GA Steel

Part # ALI070
Aluminum

Part # SS1070
Stainless Steel

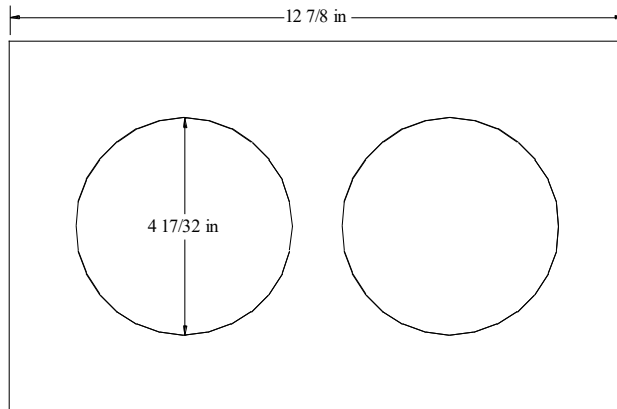
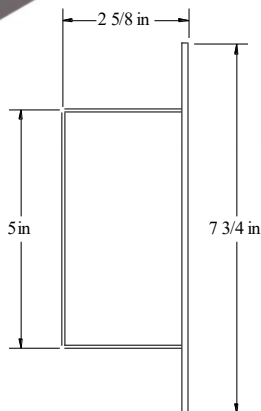


FLANGED DOUBLE TAIL LIGHT BOX

Mounts two 4" rubber mounted sealed lamps

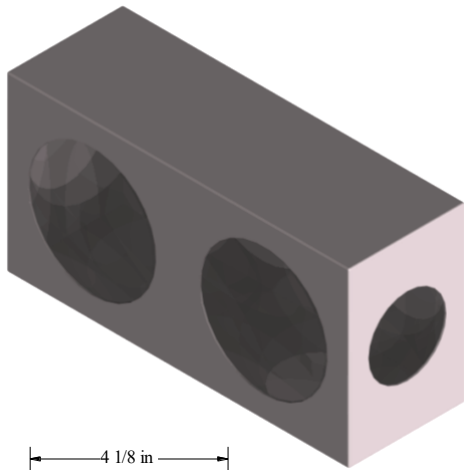
Part # I071
Steel

Part # ALI071
Aluminum



DOUBLE TAIL LIGHT BOX WITH SIDE MARKER

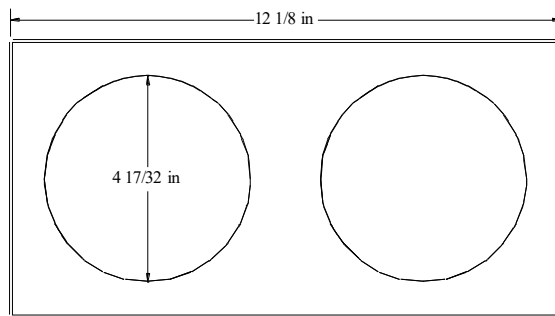
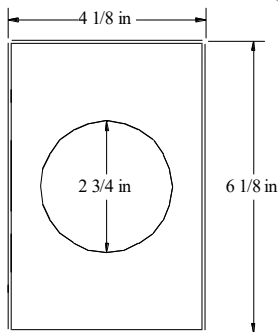
Mounts two 4" and one 2 1/2" rubber mounted sealed lamp



Part # I072
14 GA Steel

Part # I072-HD
10 GA Steel

Part # ALI072
Aluminum



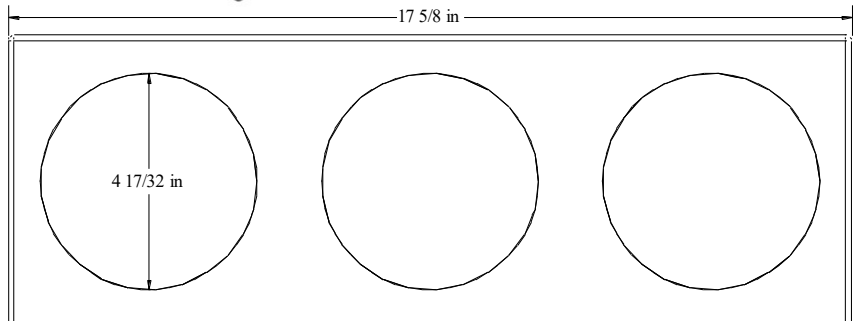
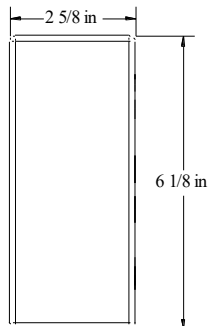
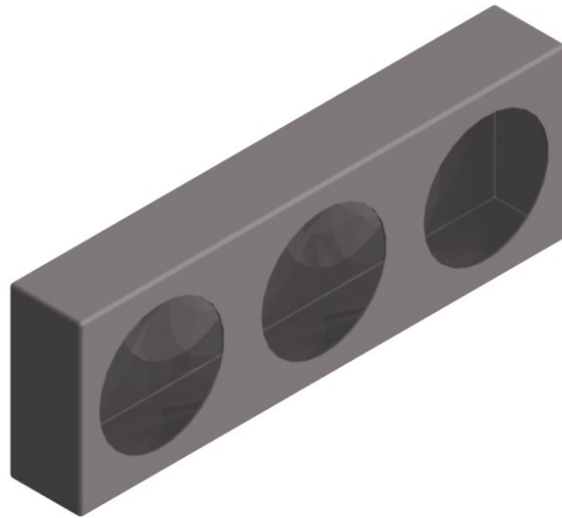
TRIPLE TAIL LIGHT BOX

Mounts three 4" rubber mounted sealed lamps

Part # I073
Steel

Part # ALI073
Aluminum

Part # SS1073
Stainless Steel



TRIPLE TAIL LIGHT BOX WITH SIDE MARKER

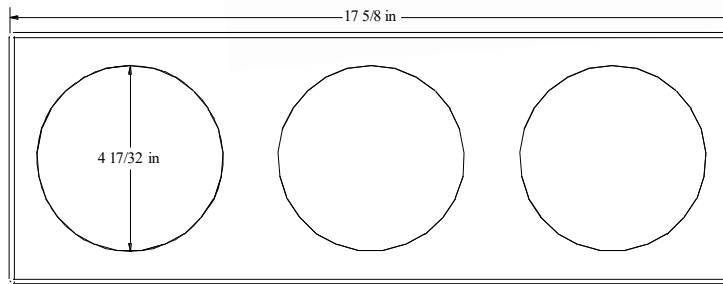
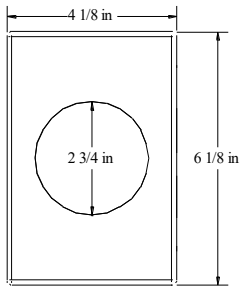
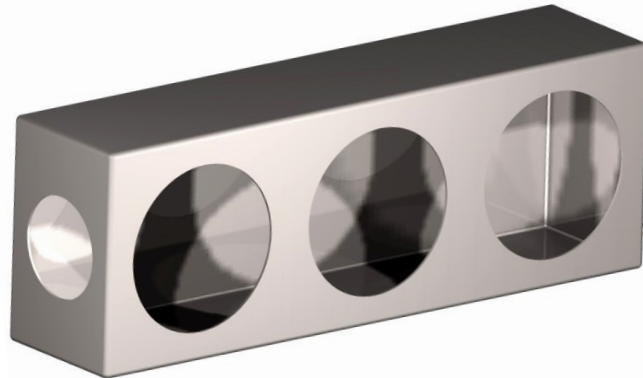
Mounts three 4" and one 2 1/2" rubber mounted sealed lamps

Part # I073-M

Steel

Part # ALI073-M

Aluminum



CORNER MARKER & TAIL LIGHT BOX

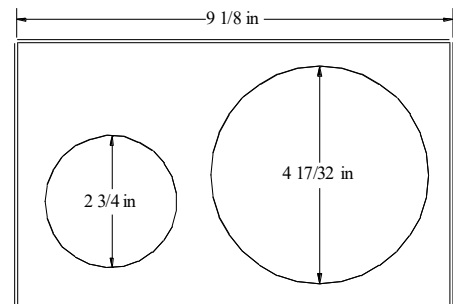
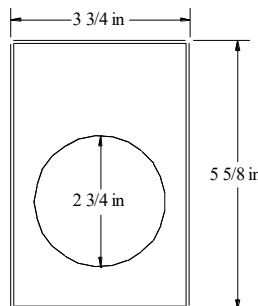
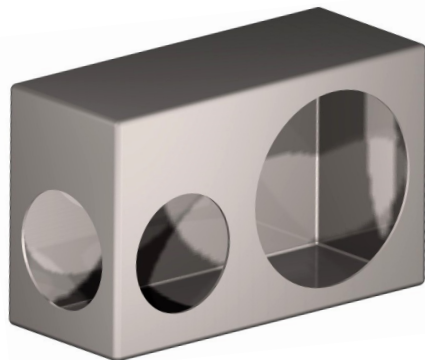
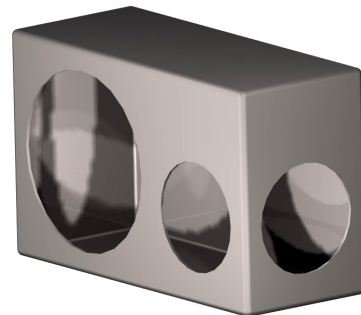
Mounts two 2 1/2" and one 4" rubber mounted sealed lamps

Part # I076

Right-hand, Steel

Part # I075

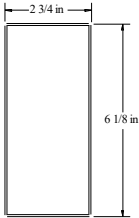
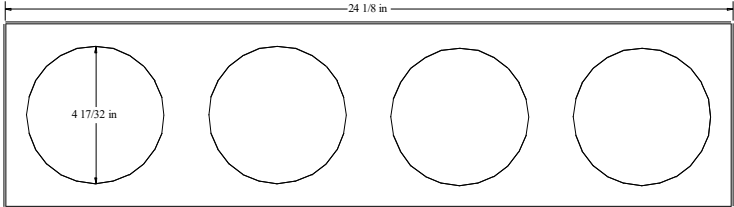
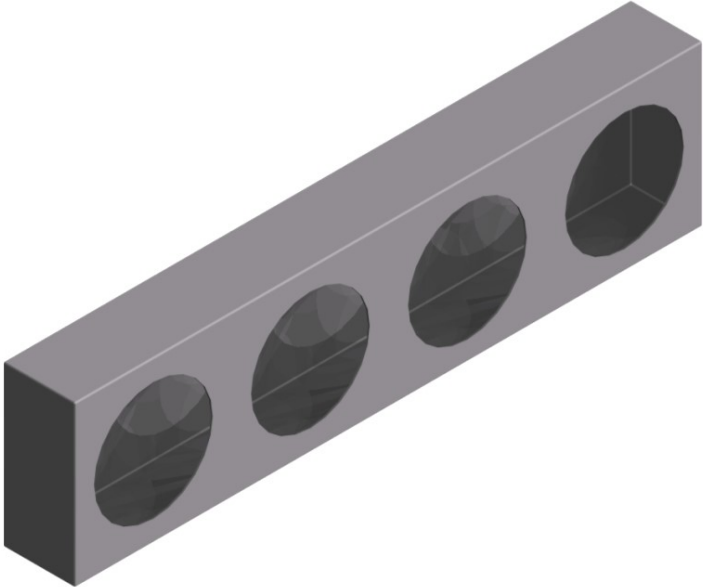
Left-hand, Steel



QUADRUPLE TAIL/SIGNAL LIGHT BOX

Mounts four 4" rubber mounted sealed lamps

Part # 1077
Steel



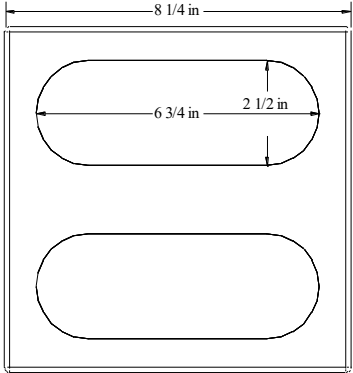
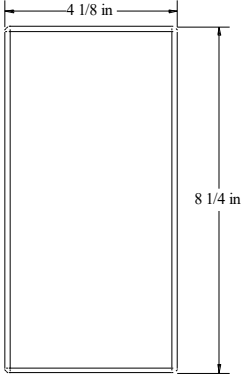
ALBERTA CABGUARD BI-DIRECTIONAL LIGHT BOX

Mounts four oval rubber mounted sealed lamps

Part # 1080
12 GA Steel

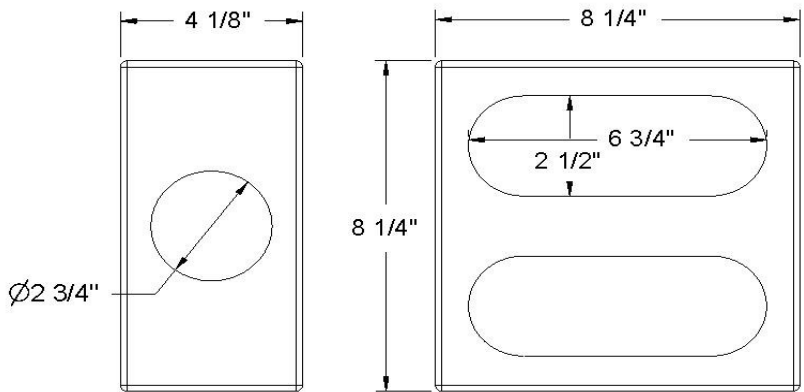
Part # 1081
14 GA Steel

Part # AL1080
Aluminum



DOUBLE OVAL LIGHT BOX WITH SIDE MARKER

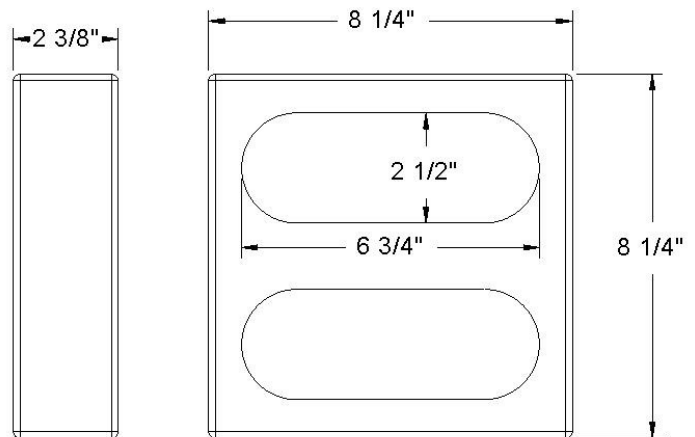
Part # 1081-M
Steel



DOUBLE OVAL LIGHT BOX

Mounts two oval rubber mounted sealed lamps

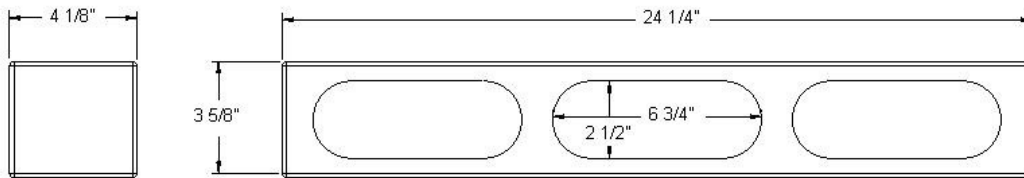
Part # 1082
Steel



TRIPLE OVAL LIGHT BOX

Mounts 3 oval rubber mounted sealed lamps

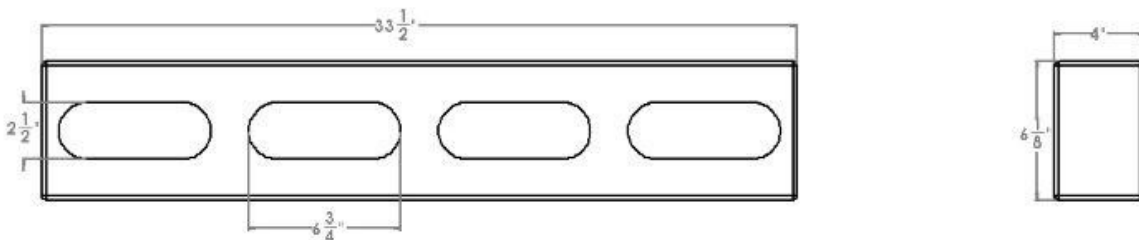
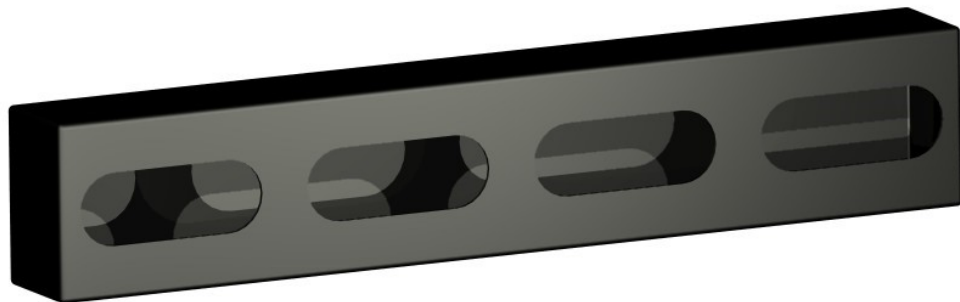
Part # 1083
Steel



QUADRUPLE OVAL LIGHT BOX

Mounts 4 oval rubber mounted sealed lamps

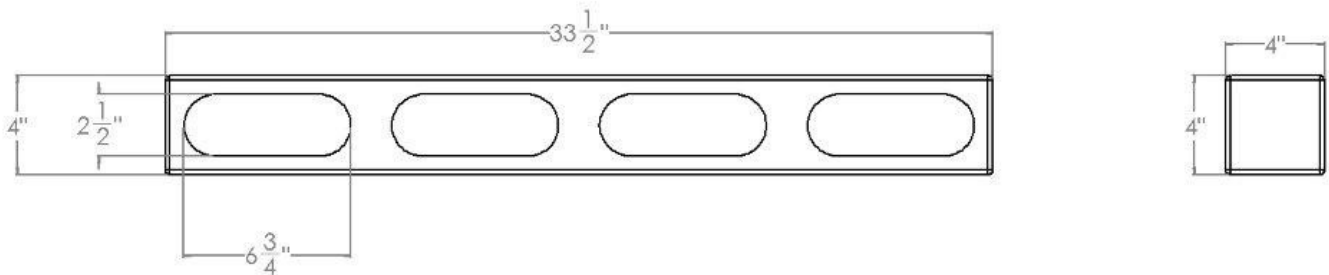
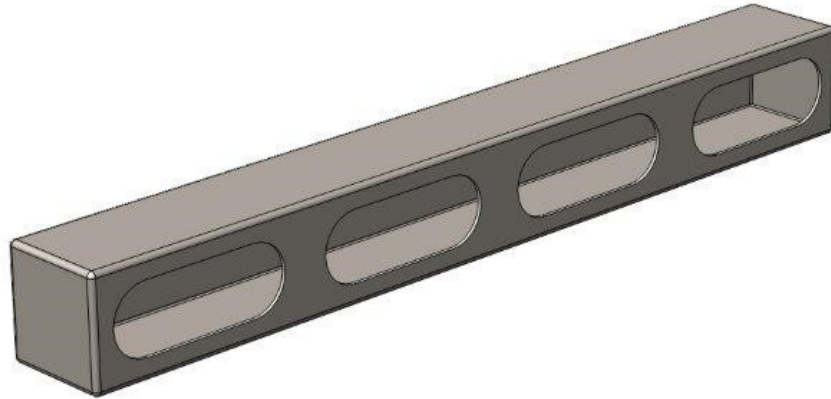
Part # 1084
12 GA Steel
(6" High Face)



QUADRUPLE OVAL LIGHT BOX

Mounts 4 oval rubber mounted sealed lamps

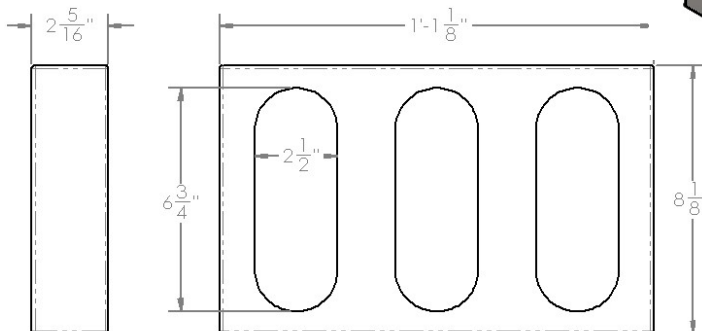
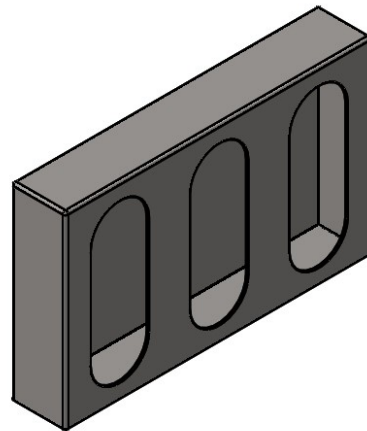
Part # 1084-S
12 GA Steel
(4" High Face)



TRIPLE OVAL LIGHT BOX

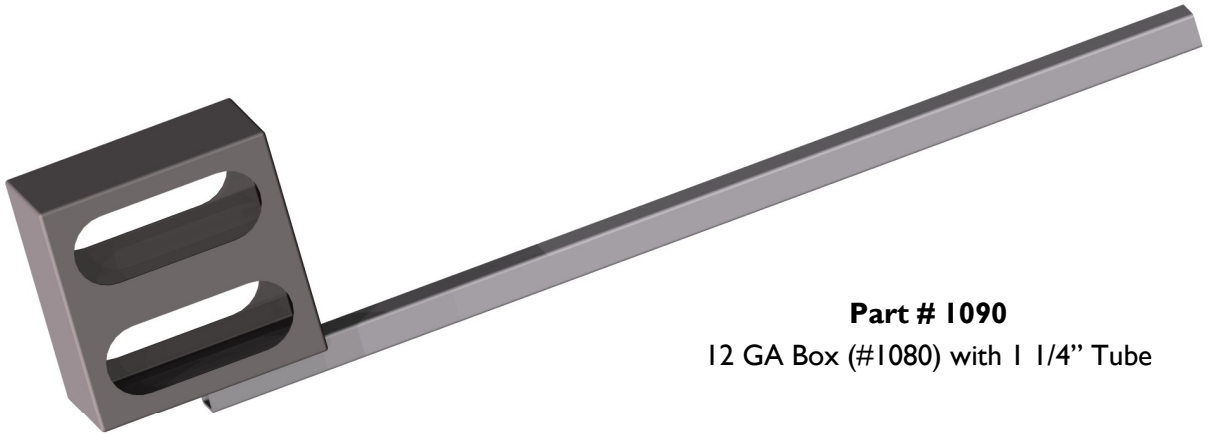
Mounts 3 oval rubber mounted sealed lamps

Part # 1086
14 GA Steel

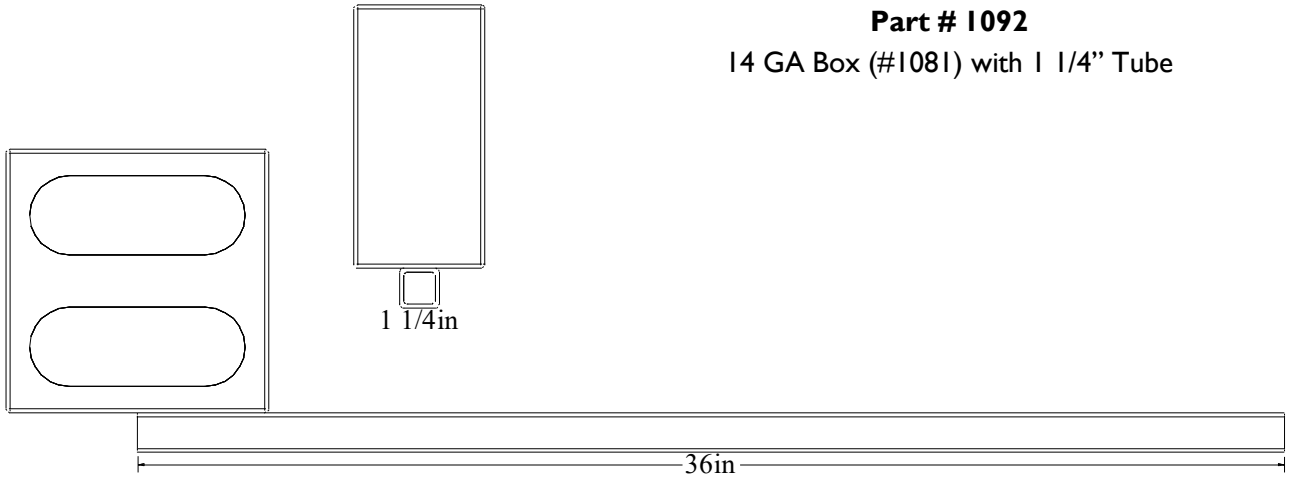


ALBERTA CABGUARD LIGHT BOX

Mounts four oval rubber mounted sealed lamps

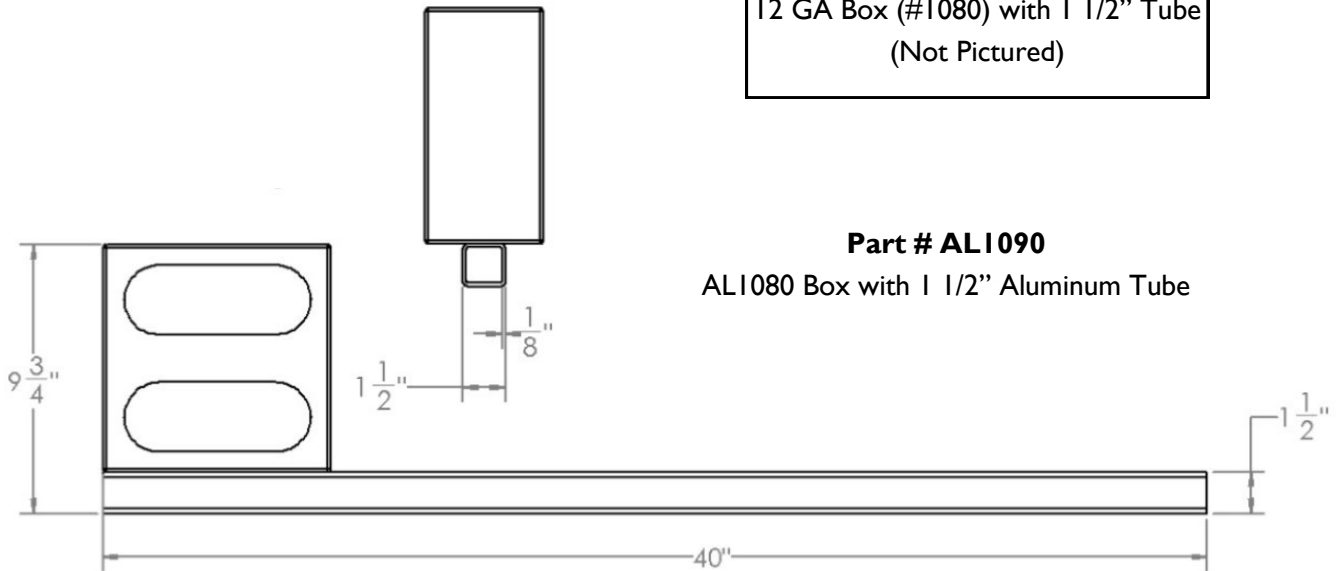


Part # 1090
12 GA Box (#1080) with 1 1/4" Tube

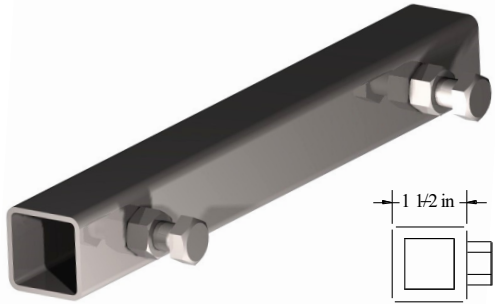


Part # 1092
14 GA Box (#1081) with 1 1/4" Tube

Part # 1090KA
12 GA Box (#1080) with 1 1/2" Tube
(Not Pictured)



Part # AL1090
AL1080 Box with 1 1/2" Aluminum Tube

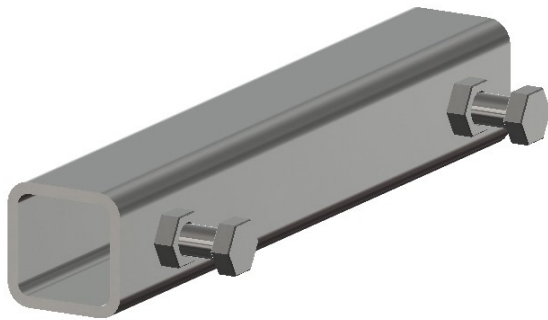
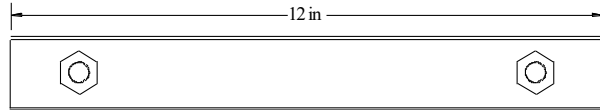


RECEIVER TUBE

Slips over Tube on Cab Guard # 1090 & 1092

Part # 1091

Steel

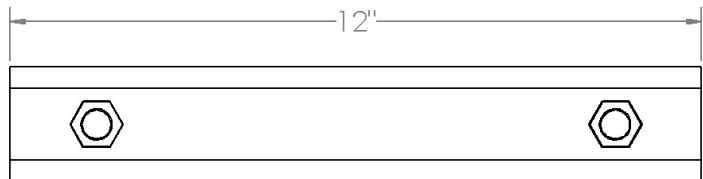
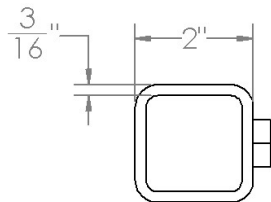


RECEIVER TUBE

Slips over Tube on Cab Guard # 1090KA, 1093, & 1094

Part # 1095

Steel

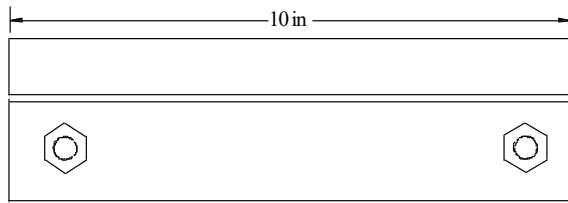
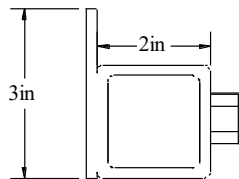


RECEIVER TUBE

Slips over Tube on Cab Guard AL1090
Welds or Bolts to Headache Rack

Part # AL1091

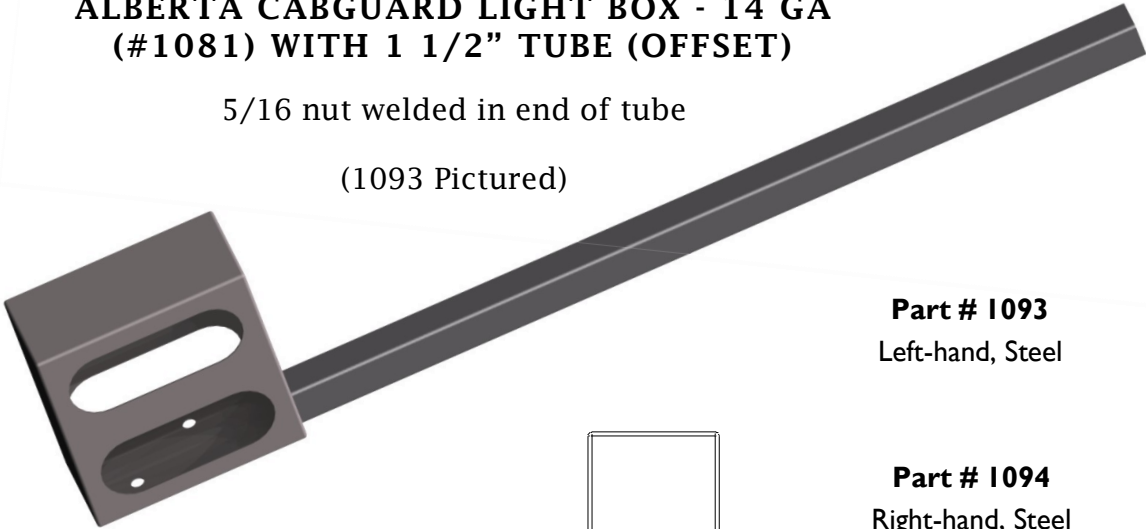
Aluminum



**ALBERTA CABGUARD LIGHT BOX - 14 GA
(#1081) WITH 1 1/2" TUBE (OFFSET)**

5/16 nut welded in end of tube

(1093 Pictured)

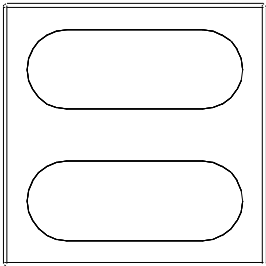


Part # 1093

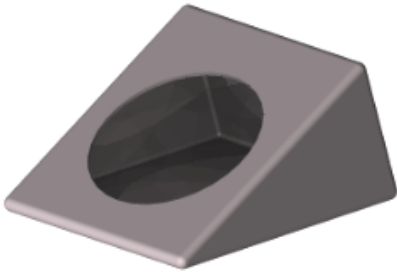
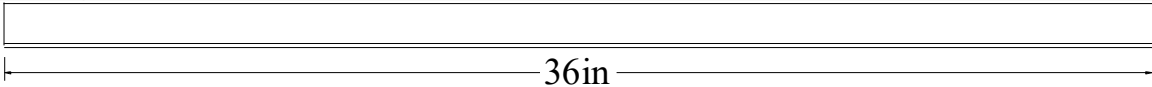
Left-hand, Steel

Part # 1094

Right-hand, Steel



1 1/2 in



SINGLE ANGLE LIGHT BOX

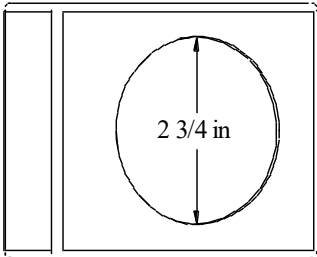
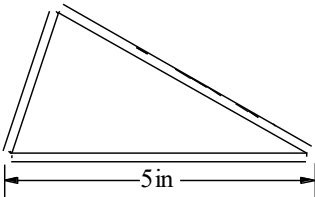
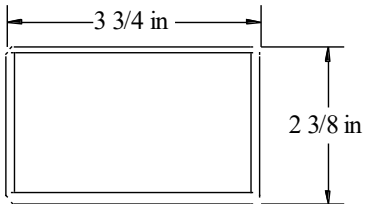
Mounts 2 1/2" rubber mounted sealed lamp

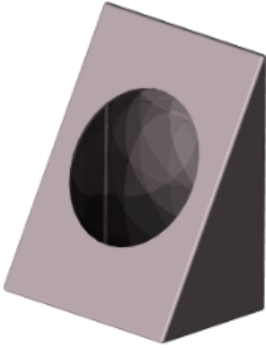
Part # 1110

Steel

Part # AL1110

Aluminum



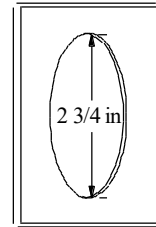
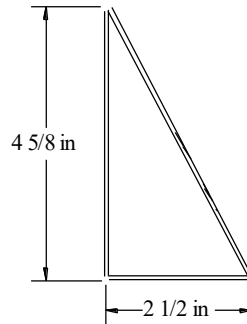
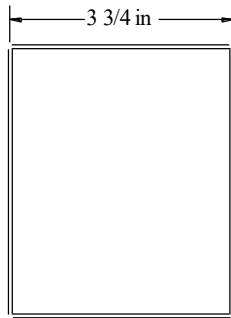


SINGLE ANGLE LIGHT BOX

Mounts 2 1/2" rubber mounted sealed lamp

Part # I111
Steel

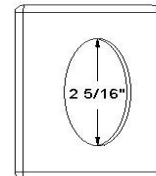
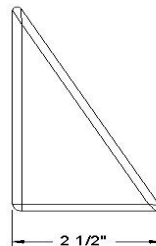
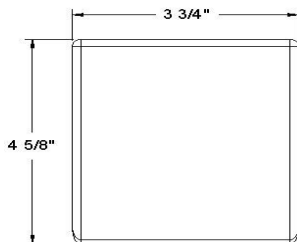
Part # AL1111
Aluminum



SINGLE ANGLE LIGHT BOX

Mounts 2" rubber mounted sealed lamp

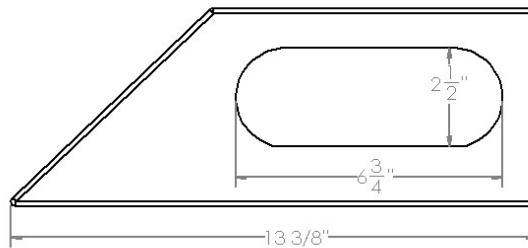
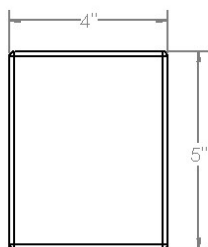
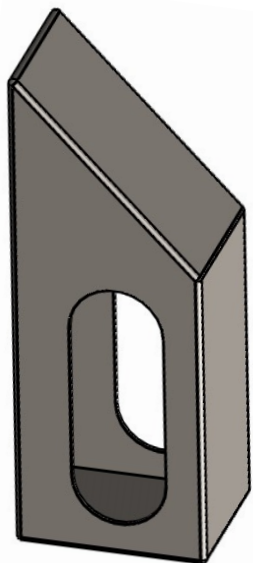
Part # I111-S
Steel



**SINGLE ANGLE BI-DIRECTIONAL
OVAL LIGHT BOX**

Mounts two oval rubber mounted sealed lamps

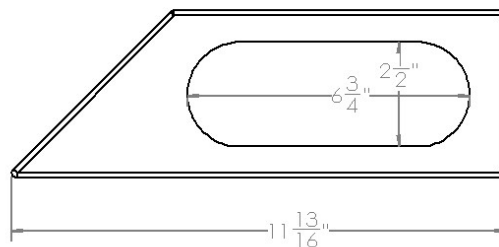
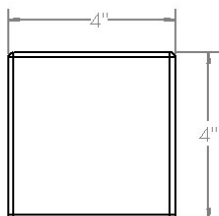
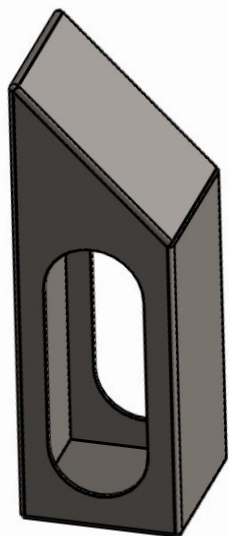
Part # 1130
10 GA Steel



**SINGLE ANGLE BI-DIRECTIONAL
OVAL LIGHT BOX**

Mounts two oval rubber mounted sealed lamps

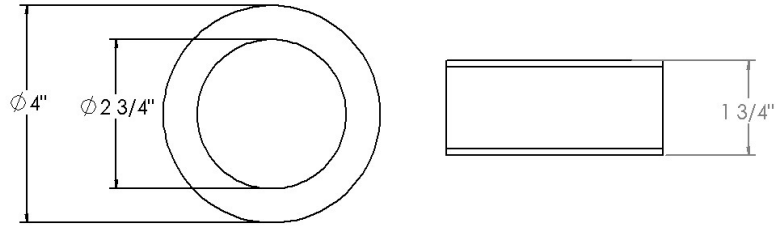
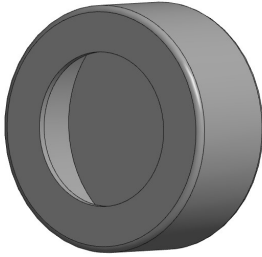
Part # 1131
10 GA Steel



SINGLE MARKER LIGHT CUP, ROUND

Mounts 2 1/2" rubber mounted sealed lamp

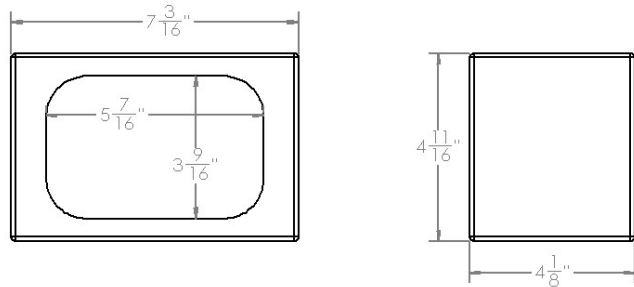
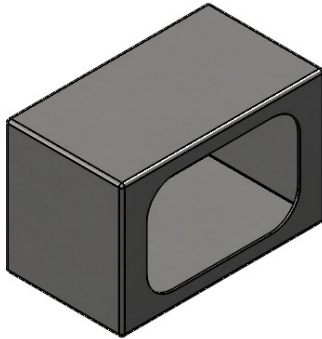
Part # 1312
Steel



SINGLE TAIL LIGHT BOX

Fits One 45 Series Lights

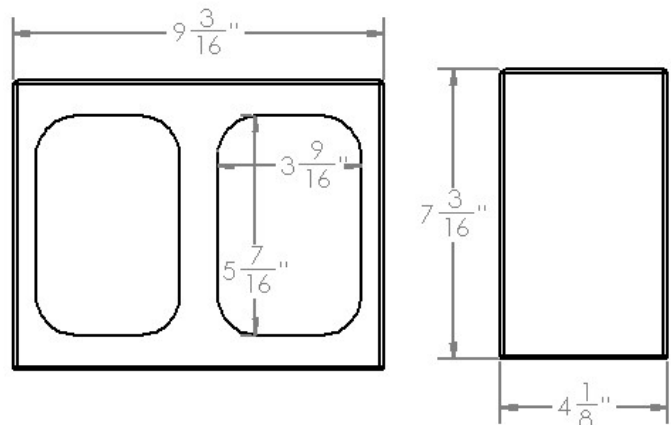
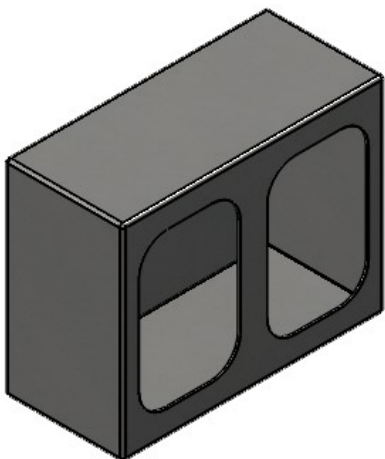
Part # 1410
Steel



DOUBLE TAIL LIGHT BOX

Fits Two 45 Series Lights

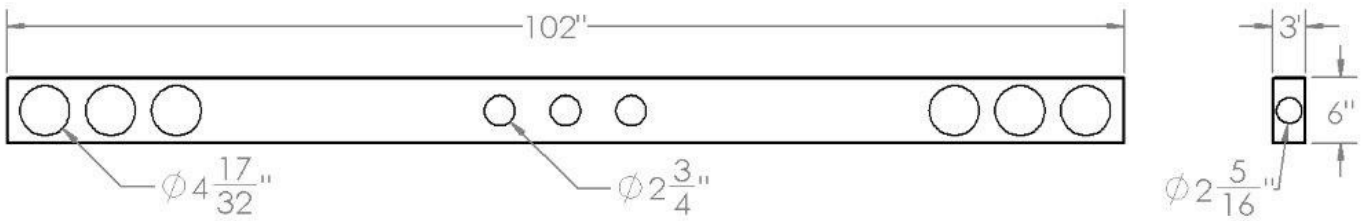
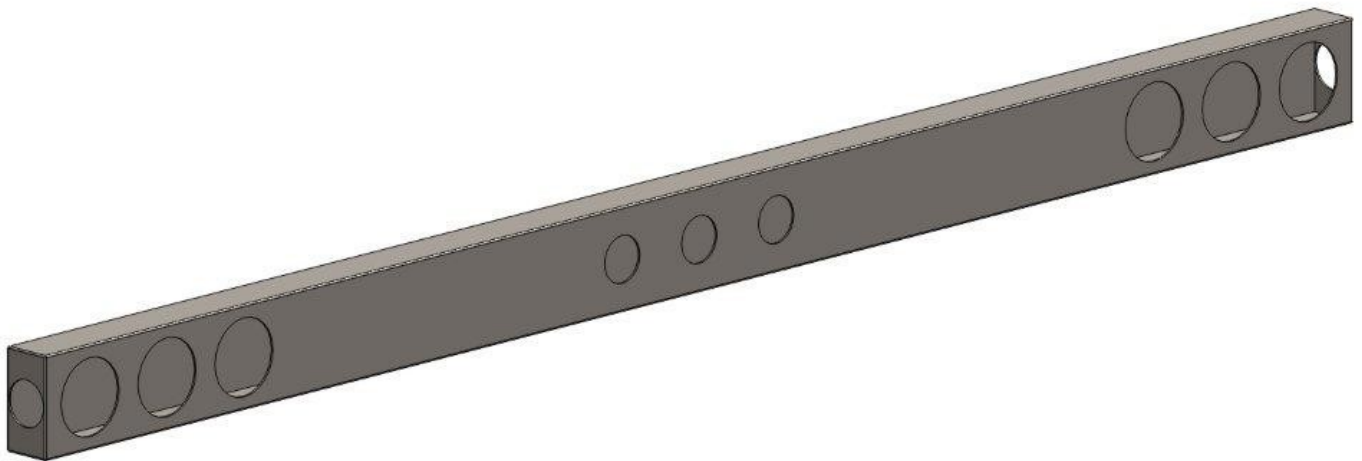
Part # 1420
Steel



8' 6" LIGHT BAR

3" x 6" x 3/16" HSS
Welded end caps with 2" marker light holes

Part # 1465
3/16" Steel



SPRING-LOADED SWING-OUT LIGHT ARM

Your choice of light attaches to end; arm swings out, and snaps into over width position

Part # 1201
Right-hand, Steel

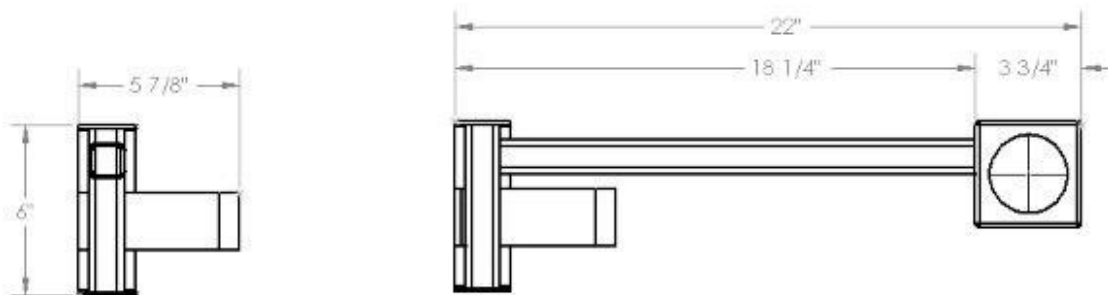
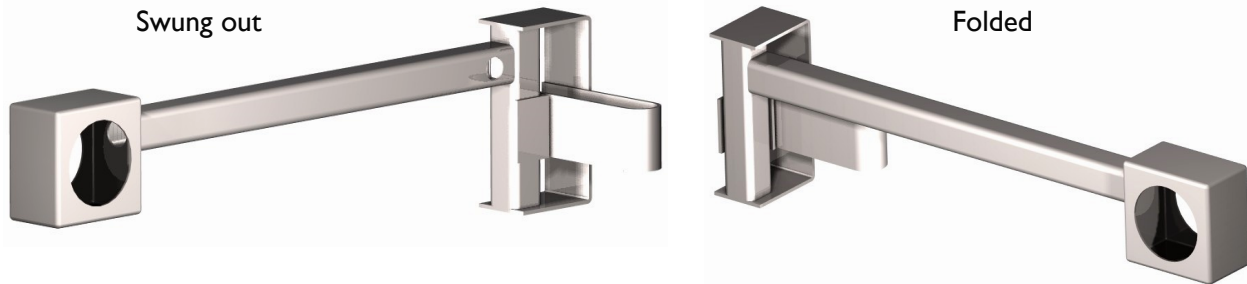
Part # 1202 (Pictured)
Left-hand, Steel



SPRING-LOADED SWING-OUT LIGHT ARM WITH BOX #1020 WELDED ON END

Part # 1201-20
Right-hand, Steel

Part # 1202-20 (Pictured)
Left-hand, Steel



ALSO AVAILABLE:

Part # 1201-20X

Part # 1202-20X

Spring-loaded swing-out light arms with box #1020 welded on end
(3 1/2" longer overall than the #1201-20 & 1202-20)

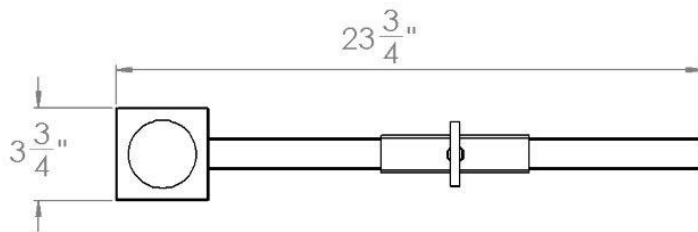
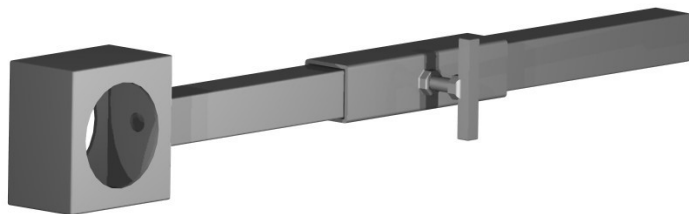


PULL-OUT LIGHT ARM WITH BOX #1020 WELDED ON END

Pulls out and locks into position with T-bolt

Part # I206-20

Steel

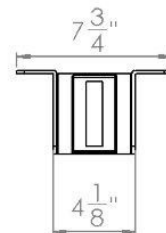
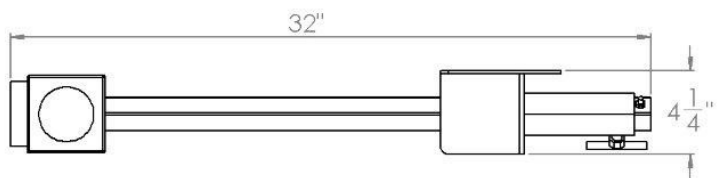
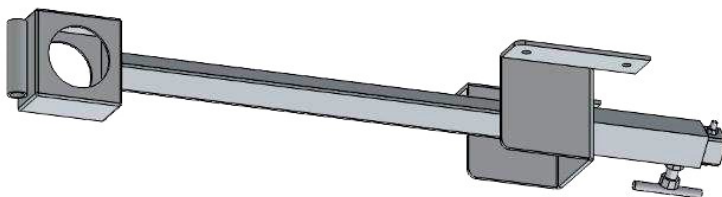
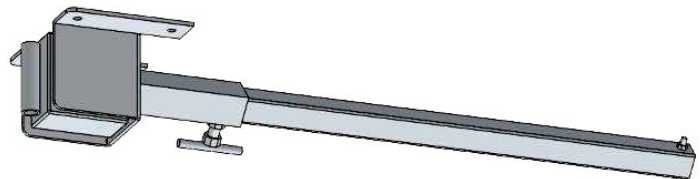


ALUMINUM PULL-OUT LIGHT ARM WITH BOX #AL1020 WELDED ON END

Pulls out and locks into position with T bolt

Part # AL1275

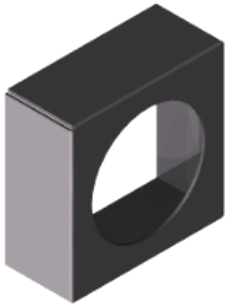
Aluminum



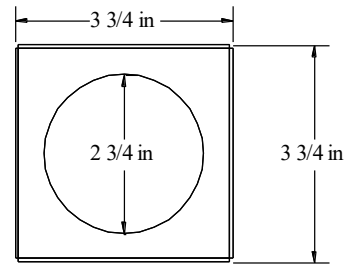
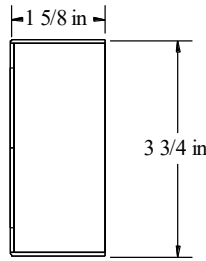
SINGLE MARKER OPEN BACK LIGHT BOX

Part # 2010

Steel



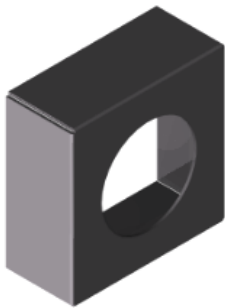
Corners not welded
Mounts 2 1/2" rubber mounted sealed lamp



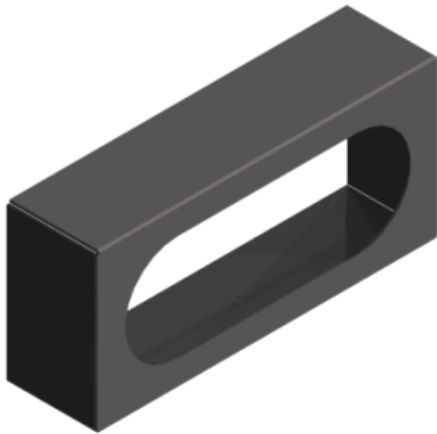
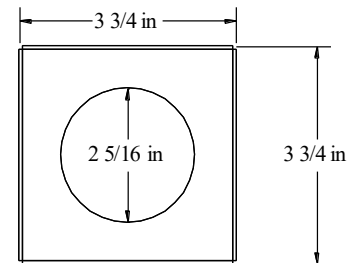
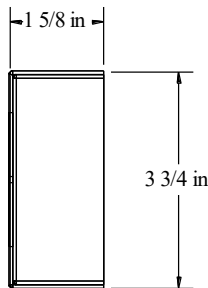
2" SINGLE MARKER OPEN BACK LIGHT BOX

Part # 2010-S

Steel



Corners not welded
Mounts 2" rubber mounted sealed lamp

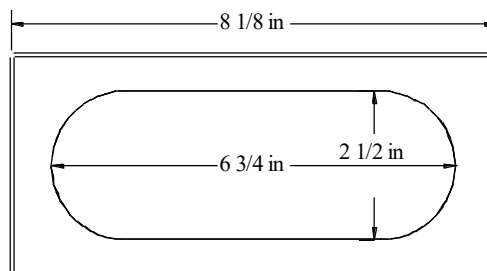
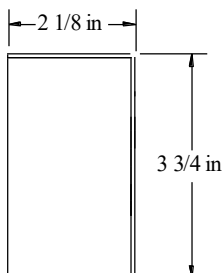


SINGLE OVAL OPEN BACK LIGHT BOX

Corners not welded
Mounts oval rubber mounted sealed lamp

Part # 2040

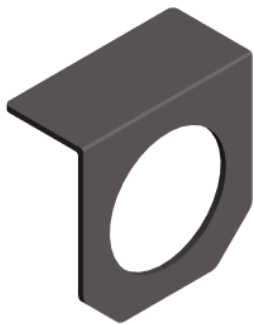
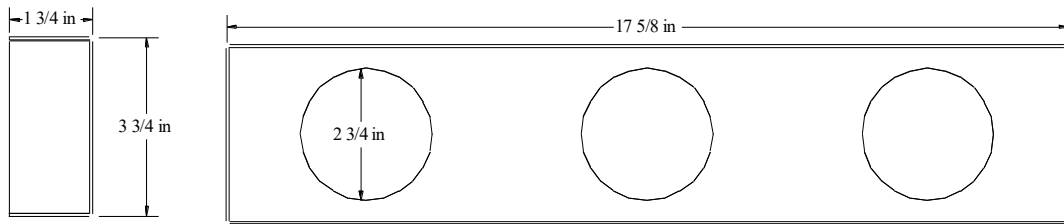
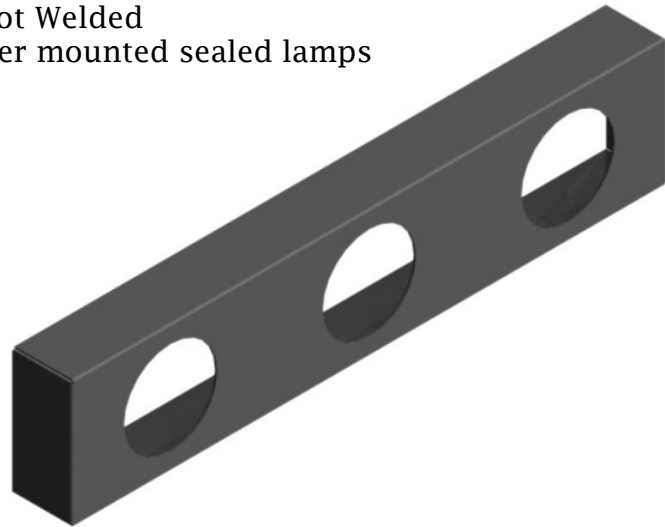
Steel



TRIPLE IDENTIFICATION OPEN BACK LIGHT BOX

Corners Not Welded
Mounts three 2 1/2" rubber mounted sealed lamps

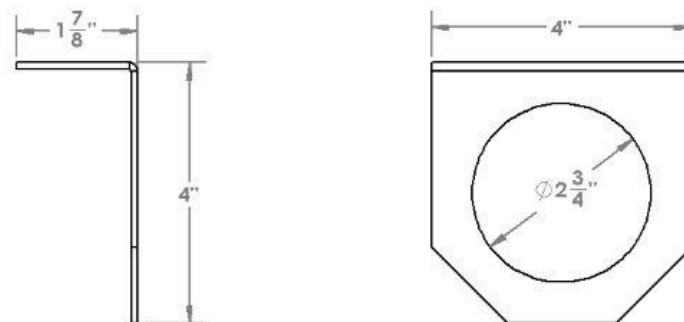
Part # 2050
Steel



SINGLE MARKER LIGHT BRACKET

Mounts 2 1/2" rubber mounted sealed lamp

Part # 4110
Steel



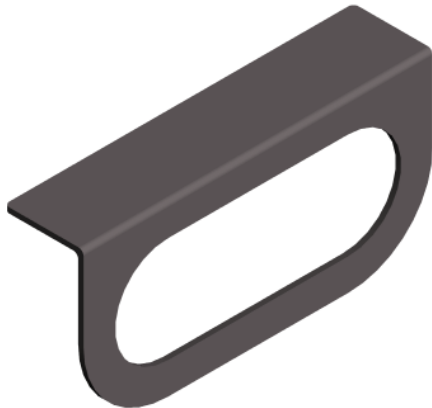
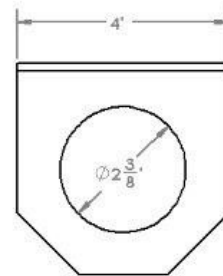
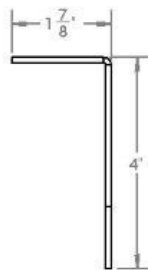
2" SINGLE MARKER LIGHT BRACKET

Mounts 2" rubber mounted sealed lamp



Part # 4110-S

Steel



SINGLE OVAL LIGHT BRACKET

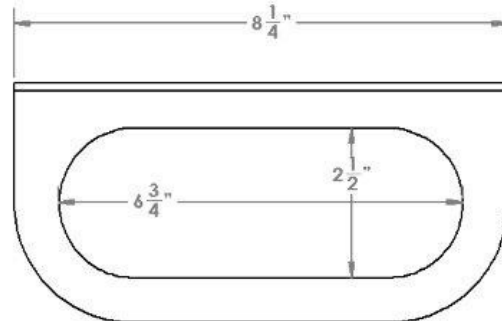
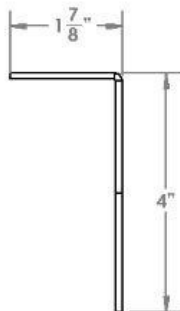
Mounts oval rubber mounted sealed lamp

Part # 4140

Steel

Part # AL4140

Aluminum



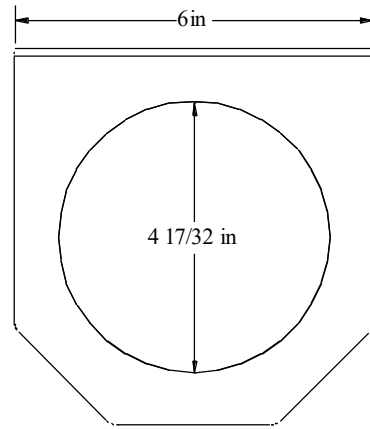
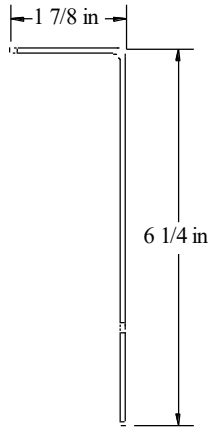
SINGLE TAIL LIGHT BRACKET

Mounts 4" rubber mounted sealed lamp



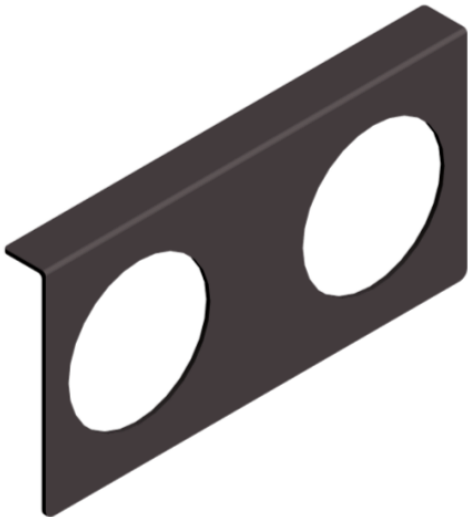
Part # 4160
Steel

Part # AL4160
Aluminum

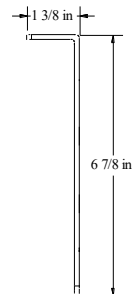
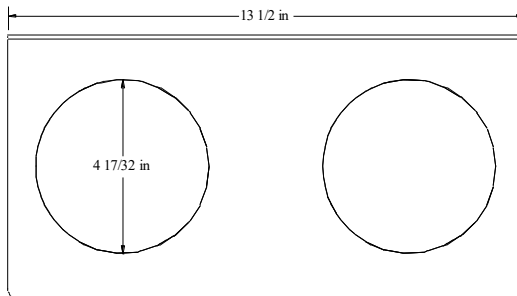


DOUBLE TAIL LIGHT BRACKET

Mounts two 4" rubber mounted sealed lamps



Part # 4170
12ga. Steel

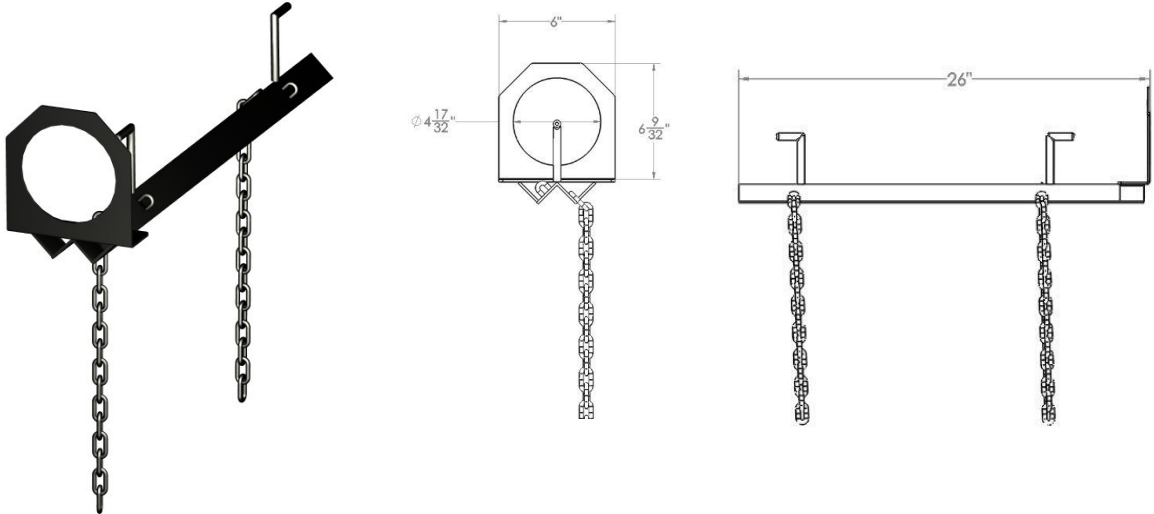


SINGLE REAR LOG LIGHT BRACKET

Mounts one 4" rubber mounted sealed lamp
(Uses #4160 Bracket)

Part # 4169

Steel

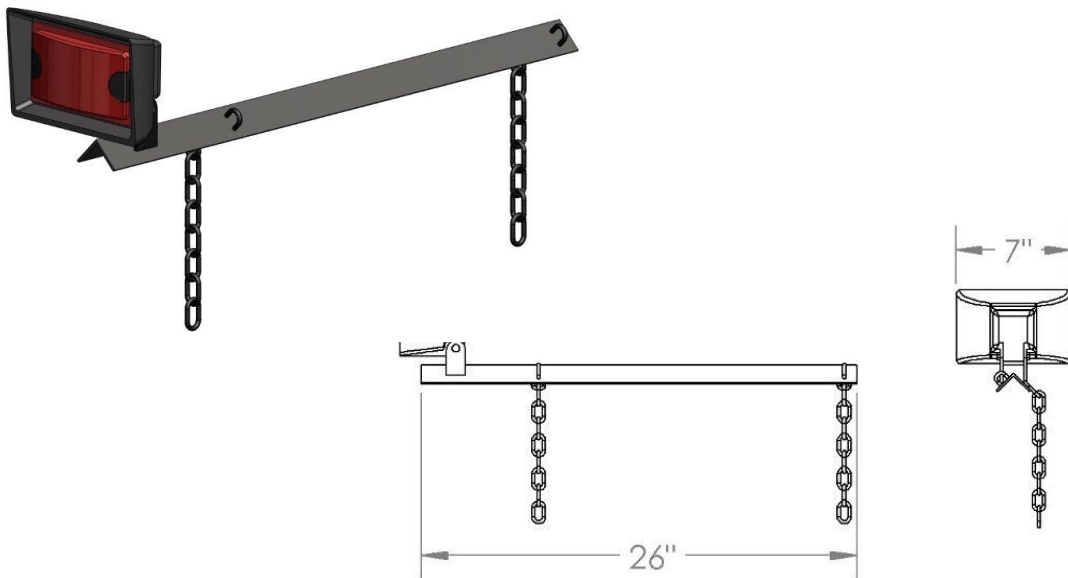


LED CORDLESS REAR LOG LIGHT

Uses 4 AA batteries

Part # 4168LT

Steel with LED Light



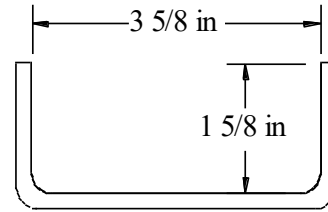
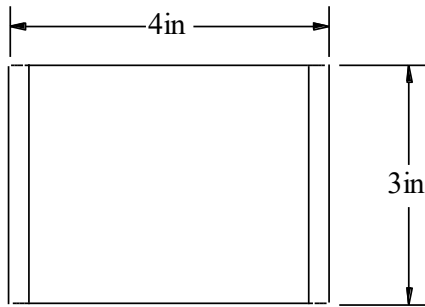


STAKE POCKET FOR GENERAL USE

Fits 2 x 4 Plank

Part # 4380

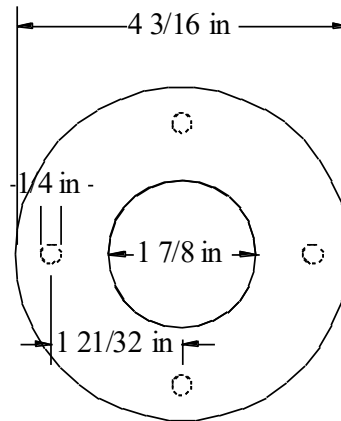
3/16" Steel



CAM TUBE ADAPTOR PLATE

Part # 5011

1/8" Steel



TIRE CHAIN HANGERS

On the following pages are a wide variety of tire chain hangers for different applications.

LEFT HAND AND RIGHT HAND DESIGNATIONS

- Our retractable tire chain hangers and simple tube style chain hangers without hooks are universally designed for mounting on either the left hand (driver's side) or right hand (curb side) of a truck.
- With the exception of Part No.'s 3160L and 3160R, tire chain hangers with a hinging cover are designed to be mounted in front of the rear fender so the fender can be mounted to the back of the chain hanger. The cover hinges on the rear of the chain hanger and opens to the front.
- Part No. 3160L and 3160R are designed to mount behind the rear wheels. The cover hinges on the front of the chain hanger and opens to the rear.
- Please note that the exact mounting configuration is up to the individual, but the above descriptions describe the original design intention and should help to avoid confusion when ordering, especially if a different mounting position is intended.
- Longer versions of 3181 and 3182 style chain hangers are available upon request, when needed for 8'6" axles.

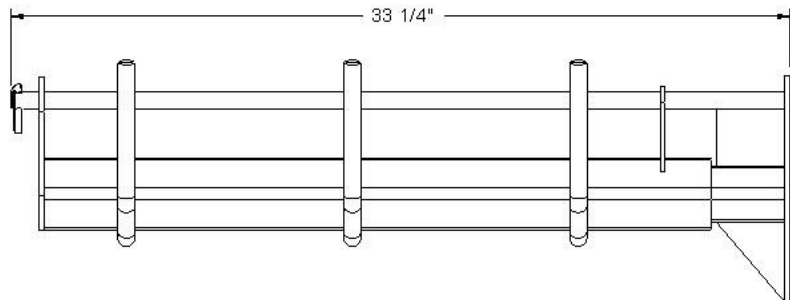
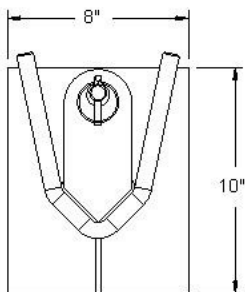
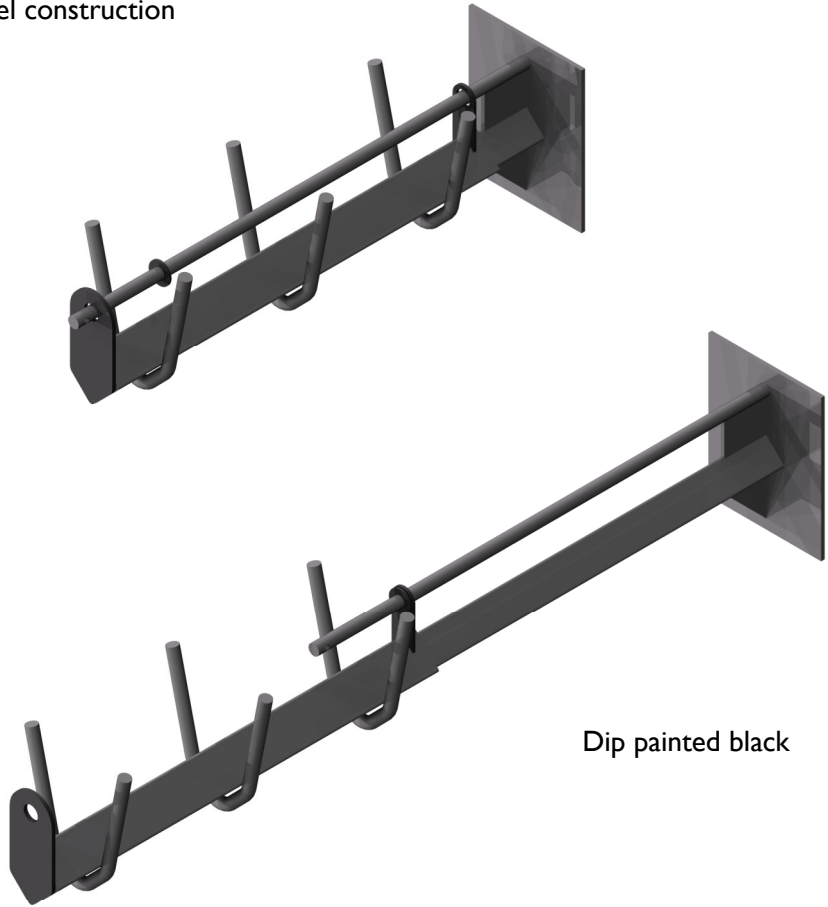
FINISHES

- The standard finish on our tire chain hangers is a dipped black coating. Our newest models we provide with a superior powder coated black finish. All products with a standard dipped finish are also available in a powder coat finish as a custom option. For each chain hanger shown, the type of finish is stated.

RETRACTABLE TIRE CHAIN HANGER

Mounts to frame/underbody of truck. Slides out for easy access to tire chains.

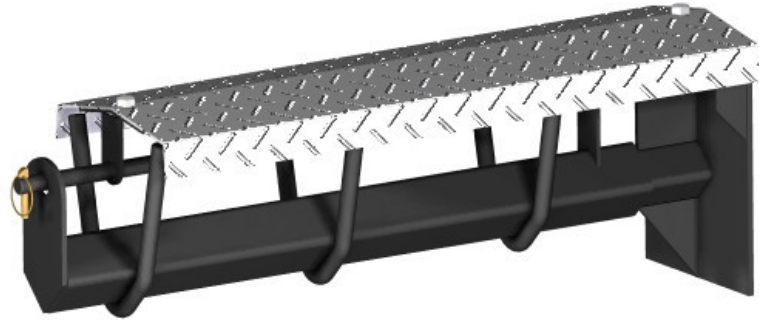
Part # 3100
Steel construction



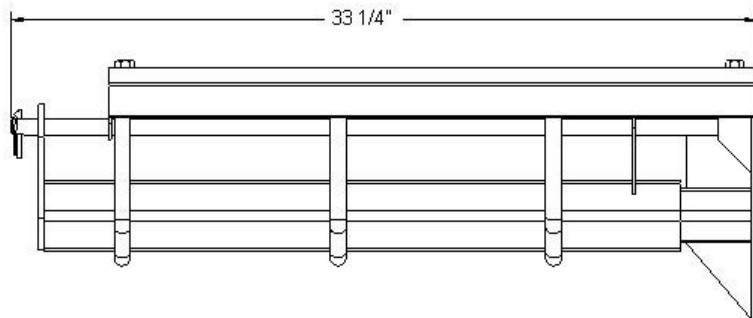
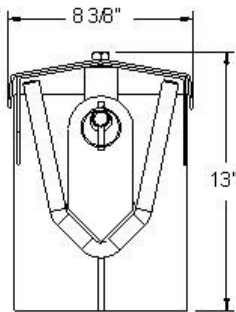
COVERED RETRACTABLE TIRE CHAIN HANGER

Comes with aluminum tread plate cover, fastened with stainless steel bolts. Same slide-out function as Part #3100, with the added feature of a cover over the chain hooks to meet tie-down regulations

Part # 3110



Dip painted black



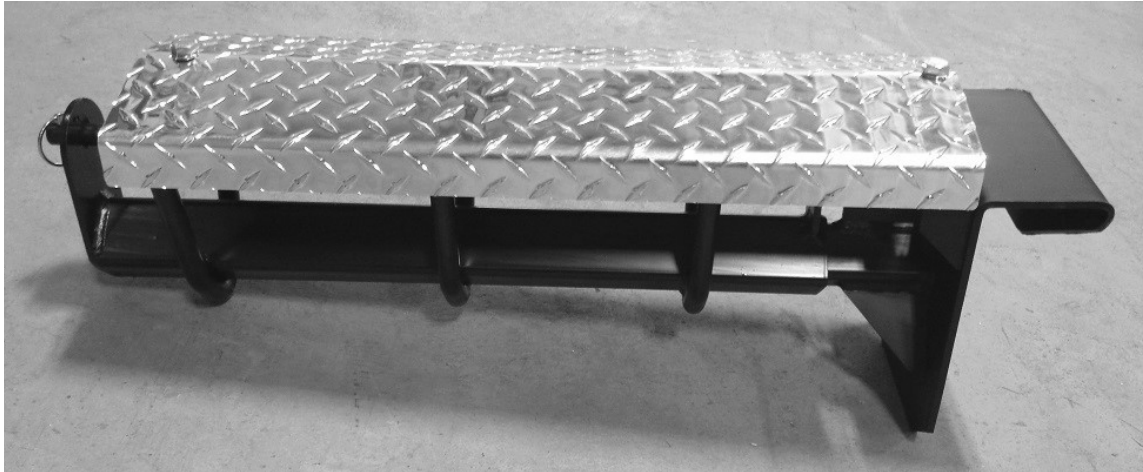
**SHORT VERSION AVAILABLE (30")
Part # 3110-S**

COVERED RETRACTABLE TIRE CHAIN HANGER

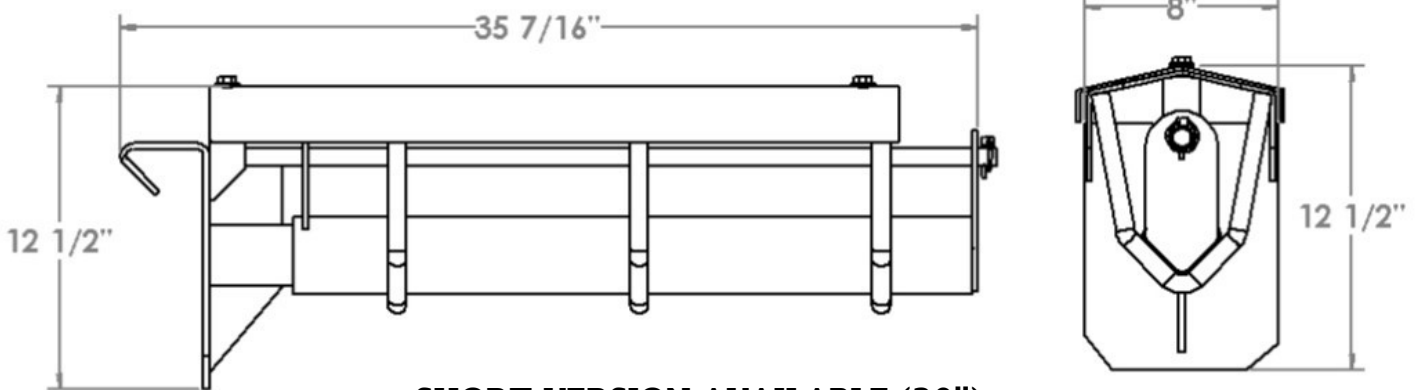
Comes with clip-on base and aluminum tread plate cover

Part # 3112

Steel with Aluminum Cover



Dip painted black



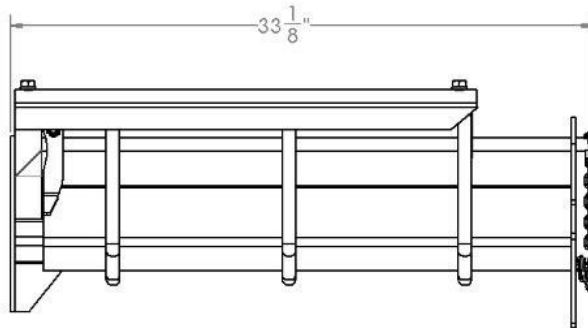
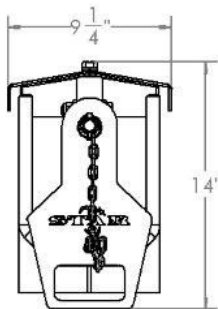
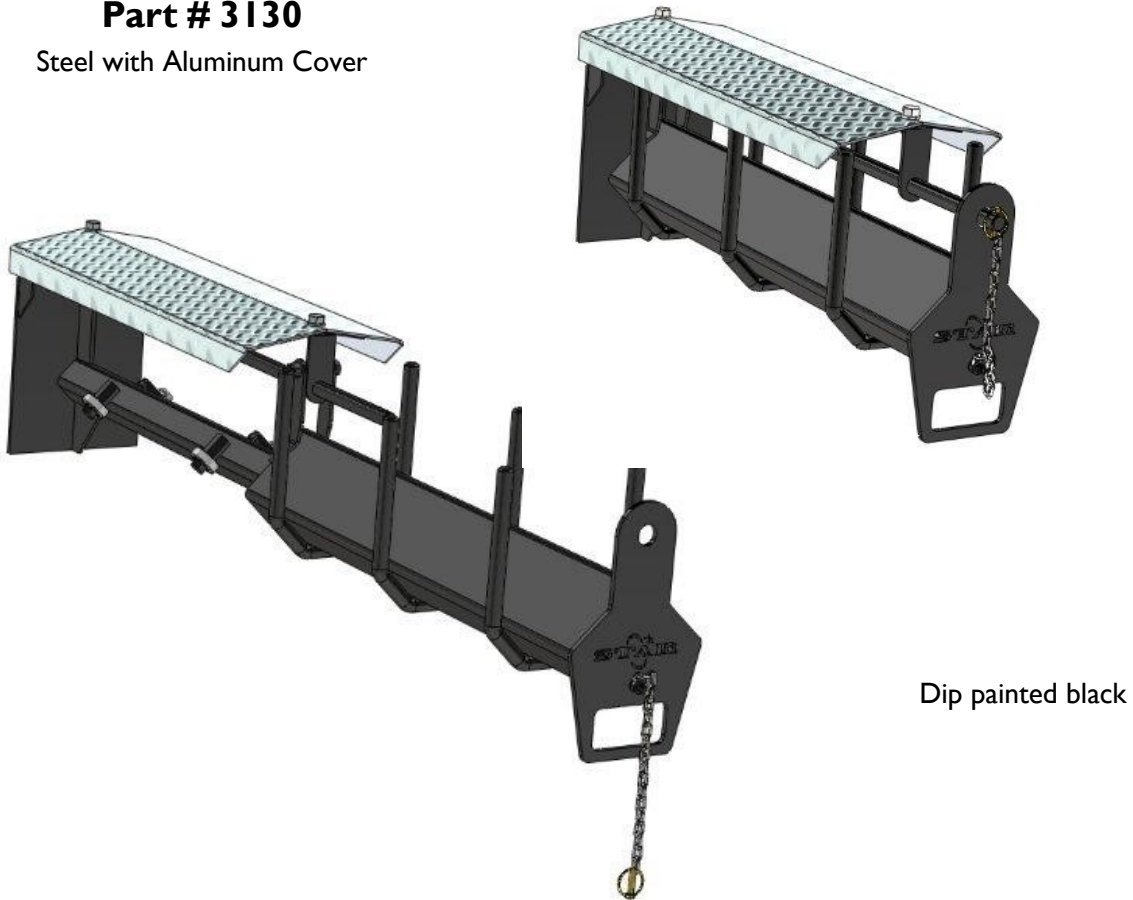
SHORT VERSION AVAILABLE (30")
Part # 3112-S

COVERED RETRACTABLE TIRE CHAIN HANGER WITH ROLLER BEARINGS

- Sealed roller bearings for long-term smooth glide action
- Easy-clean open bottom design gets rid of road salt, mud, & grime
 - Aluminum tread plate cover

Part # 3130

Steel with Aluminum Cover



SHORT VERSION AVAILABLE (29-1/2")

Part # 3139

ALSO AVAILABLE WITHOUT COVER:

Part # 3120



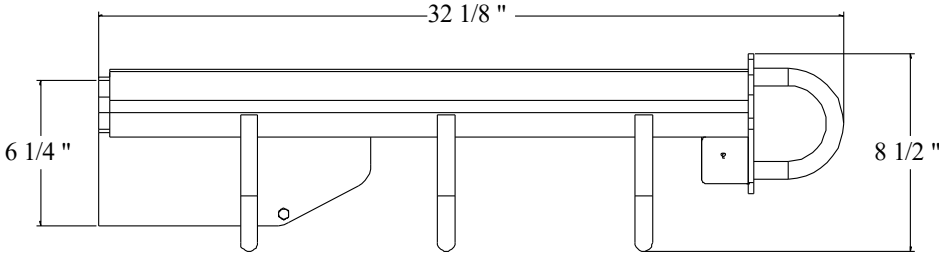
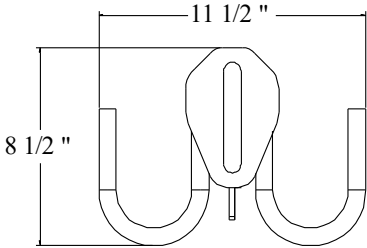
RETRACTABLE TIRE CHAIN HANGER

- Rounded hooks,
- Open bottom,
- Grab handle

Part # 3145
Steel Construction



Dip painted black



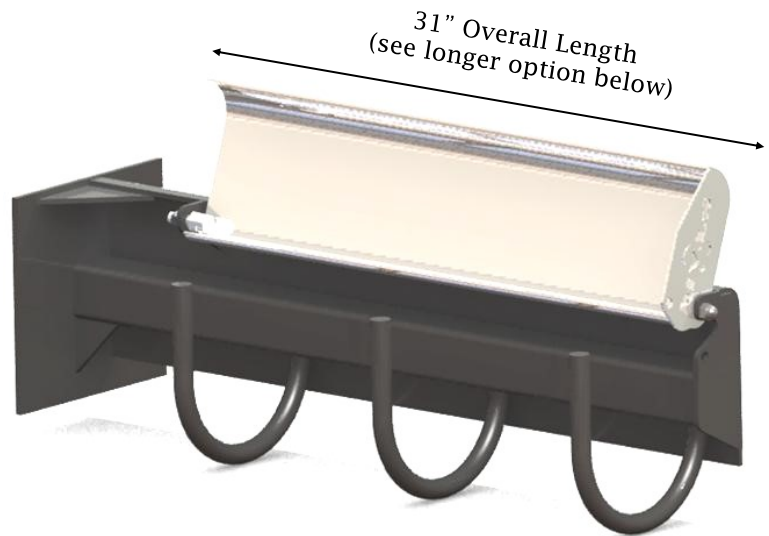
**TIRE CHAIN HANGER WITH LOCKABLE LID
AND FENDER / MUD FLAP MOUNTING SURFACE**

Part # 3155L - Left Hand (Pictured)
Steel With Aluminum Cover

Part # 3155R - Right Hand
Steel With Aluminum Cover



- Removable checker plate aluminum cover allows for sandblasting and painting or replacement
- Robust pin hinging system
- Lid supported to allow flat stepping surface when closed
- 8" x 8" Mounting base
- Rounded hook style for easy loading and removal of chains
- Wide throat for ample chain storage
- Lockable with pin or padlock
- 6" Wide fender mounting surface for fender and mud flap variations



Dip painted black

OPTIONAL LONGER DIMENSION FOR 8'6" WIDE AXLES

Part #3155R-W - 34" Overall Length

Part #3155L-W - 34" Overall Length



HEAVY DUTY MUD FLAP ANTISAIL BRACKET

Part # 4655

Steel

Built with 1/4" x 1-1/4" flat bar and 3/16" x 1-1/2" angle



Dip painted black

**TIRE CHAIN HANGER / MUD FLAP MOUNTING BRACKET
DESIGNED FOR 45 DEGREE ANGLE MUD FLAPS**

Part # 3160R - Right Hand
Steel With Aluminum Cover

Mud flap retainer bracket



- Originally designed for PACCAR
- Comes with mud flap retainer bracket
- (3) 5/8" mounting holes
- Conspicuity tape
- Powder coated gloss black

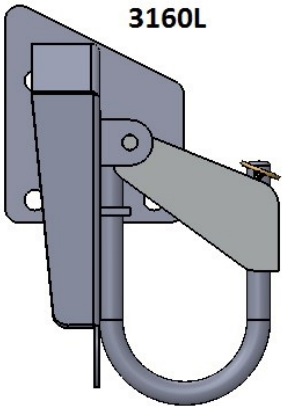
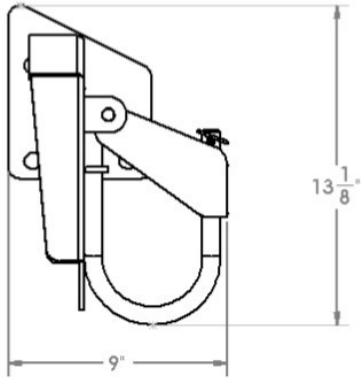
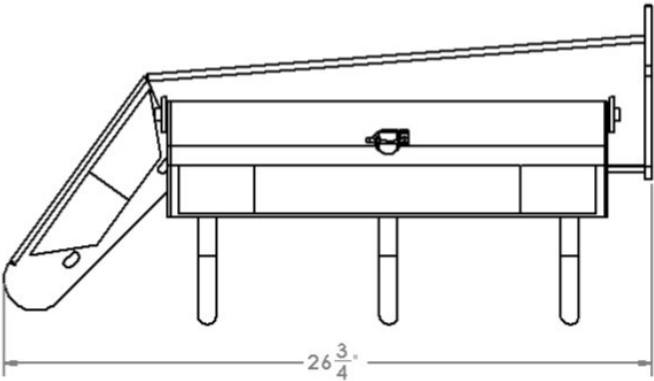
Mud flap retainer bracket



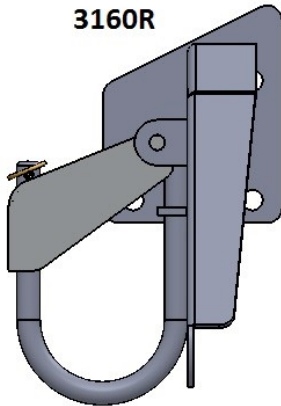
Part # 3160L - Left Hand
Steel With Aluminum Cover

See dimensions on
following page

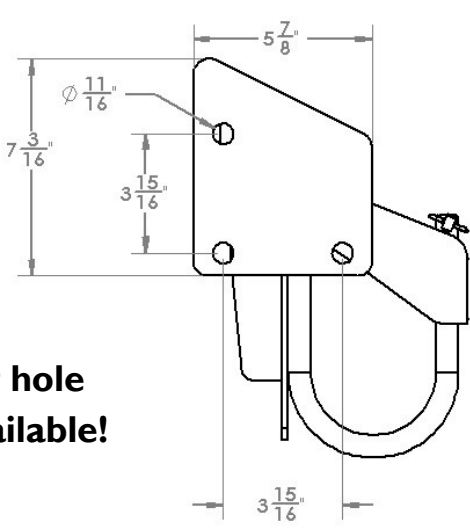
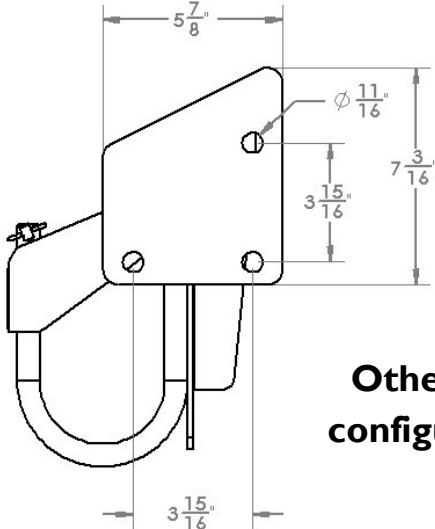
**DIMENSIONS FOR 3160L / 3160R
TIRE CHAIN HANGER / MUD FLAP MOUNTING BRACKET**



3160L



3160R

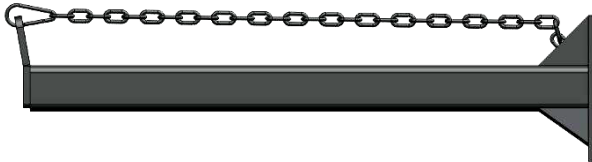


Other mounting hole configurations available!

TIRE CHAIN HANGER WITH SECURING CHAIN AND CLIP

Part # 3170

Steel



Part # 3171

Steel

Angled up 3 degrees

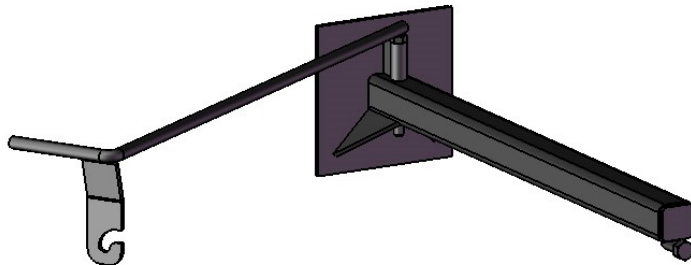
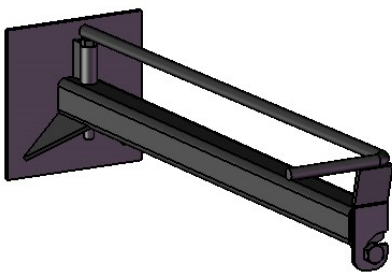


Dip painted black

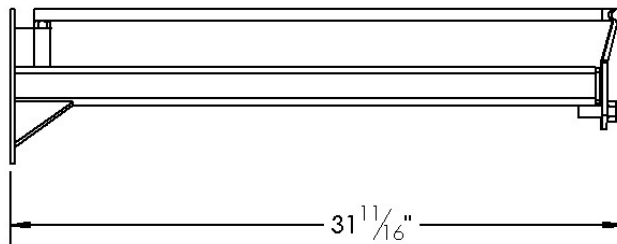
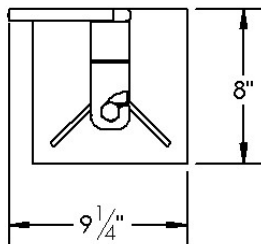
TIRE CHAIN HANGER WITH 9/16" ROUND ROD WHICH SNAPS IN PLACE TO SECURE TIRE CHAINS

Part # 3175L - Left-Hand

Part # 3175R - Right Hand (Pictured)



Dip painted black



TIRE CHAIN HANGER WITH FLAT BAR HOOKS AND ALUMINUM CHECKER PLATE COVER

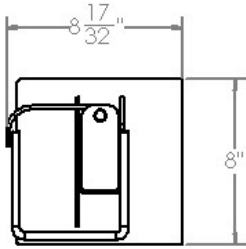
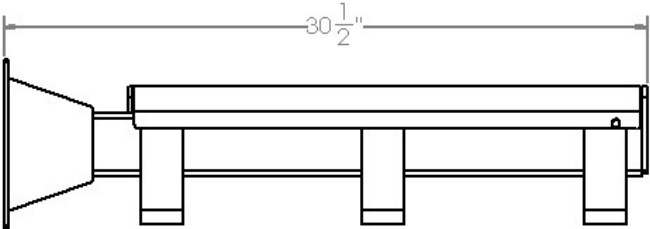
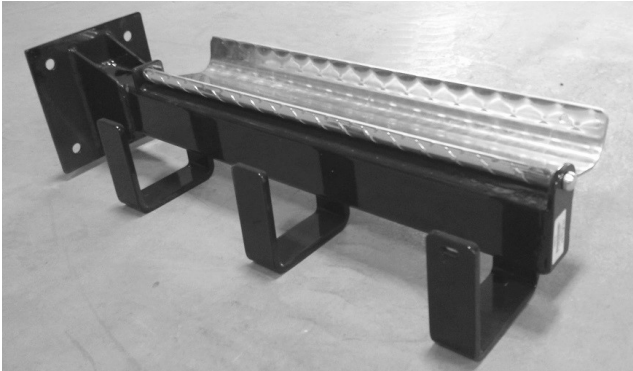
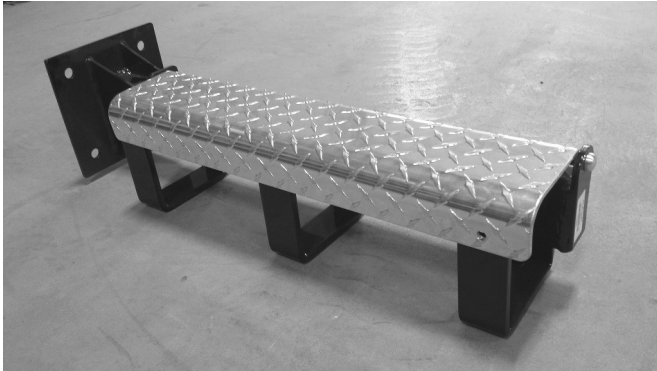
Part # 3180L - Left Hand (Pictured)

Part # 3180R—Right Hand

Steel with Checker Plate Aluminum Cover

(4) 5/8" Mounting Holes

Powder Coated Gloss Black



Order as a set: **Part # 3180LR**

OPTIONAL LONGER DIMENSION FOR 8'6" WIDE AXLES

Part #3180R-W - 34" Overall Length

Part #3180L-W - 34" Overall Length

OPTIONAL SHORTER DIMENSION FOR USE WITH 3480 EXTENSION BRACKETS ON STANDARD WIDTH AXLES

(SEE PG. 62)

Part #3180R-S - 27-1/2" Overall Length

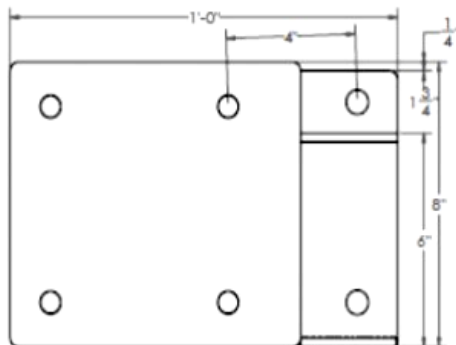
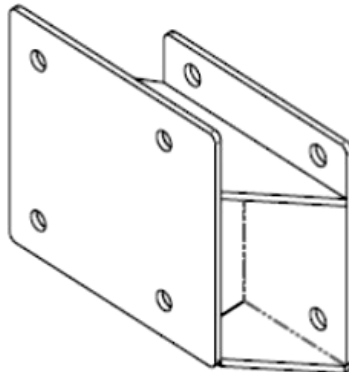
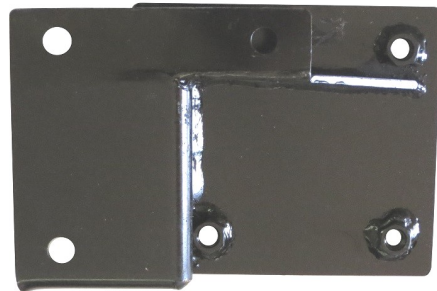
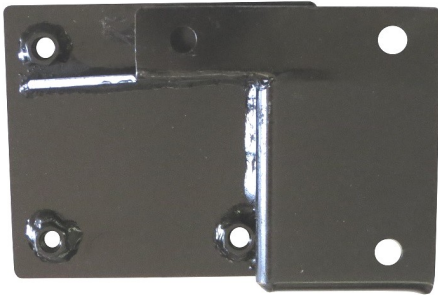
Part #3180L-S - 27-1/2" Overall Length

EXTENSION BRACKET

3" Chain hanger extension with 4" offset
Fits frames with Kenworth's Neway Suspension
Holes match with base on 3180 series chain hangers
Powder coated gloss black

Part # 3480L - Left Hand
Steel

Part # 3480R - Right Hand
Steel



**TIRE CHAIN HANGER WITH
FLAT BAR HOOKS AND ALUMINUM COVER**

NEW PRODUCT

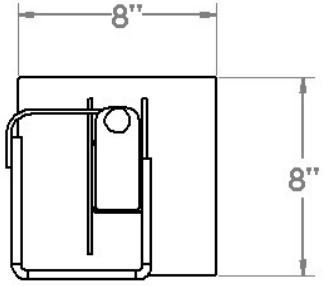
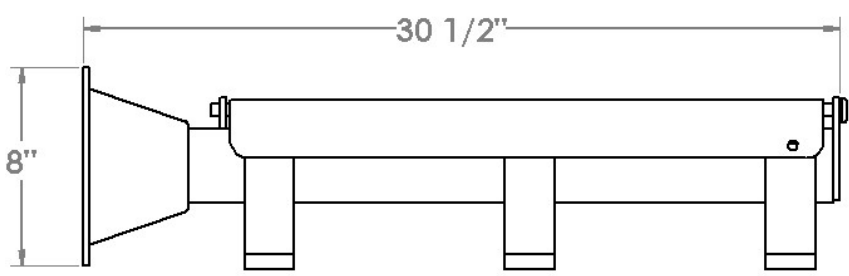
Part # 3181L - Left Hand (Pictured)

Part # 3181R—Right Hand

Steel with Smooth Aluminum Cover
Powder Coated Gloss Black



Order as a set: **Part # 3181LR**



**TIRE CHAIN HANGER WITH
FLAT BAR HOOKS AND ALUMINUM COVER**

Part # 3181NL - Left Hand (Pictured)

Part # 3181NR—Right Hand

Steel with smooth aluminum cover

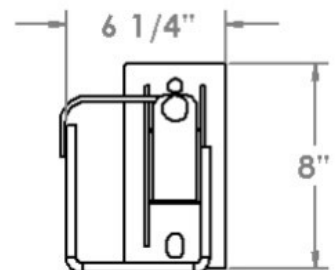
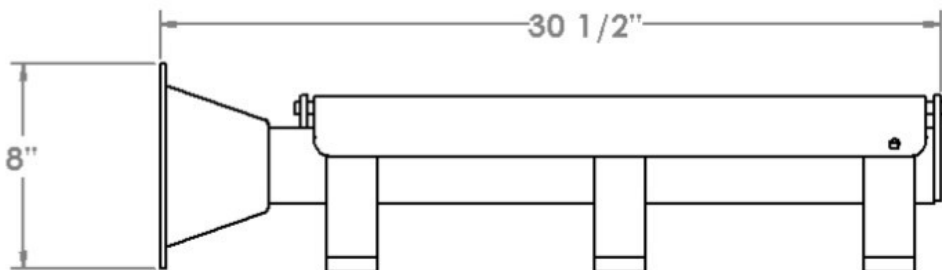
Narrow mounting base (4" x 8") comes with 2 mounting holes

Powder coated gloss black

NEW PRODUCT



Order as a set: **Part # 3181NLR**

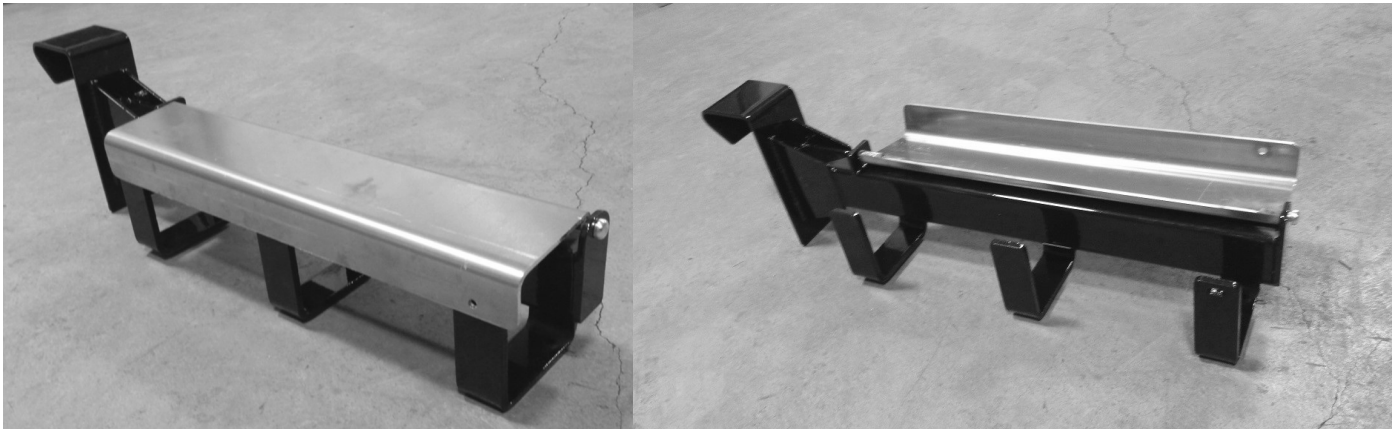
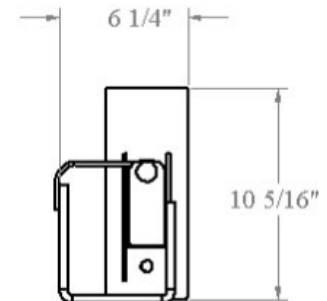
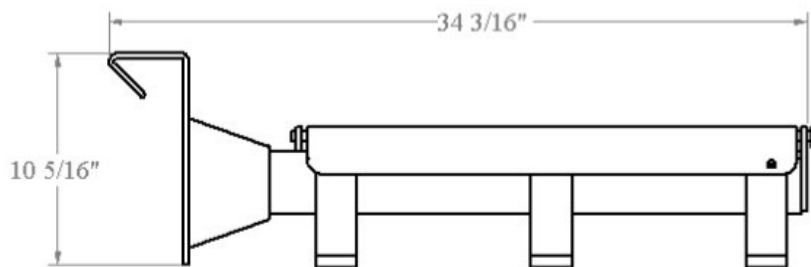


NEW PRODUCT**TIRE CHAIN HANGER WITH
FLAT BAR HOOKS AND ALUMINUM COVER****Part # 3182NL - Left Hand (Pictured)****Part # 3182NR—Right Hand**

Steel with smooth aluminum cover

4" Narrow clip-on mounting base comes with one mounting hole

Powder coated gloss black

Order as a set: **Part # 3182NLR**

Also available with an 8" wide clip-on base:

Part # 3182L - Left Hand**Part # 3182R - Right Hand****Part # 3182LR - Set of one Left Hand and one Right Hand**

LOAD BINDER HANGER

For hanging and securing load chains and binders

Mounts to headache rack

Aluminum tread plate cover is lockable

Part # 3317 (17" Long)

Part # 3321 (21" Long)

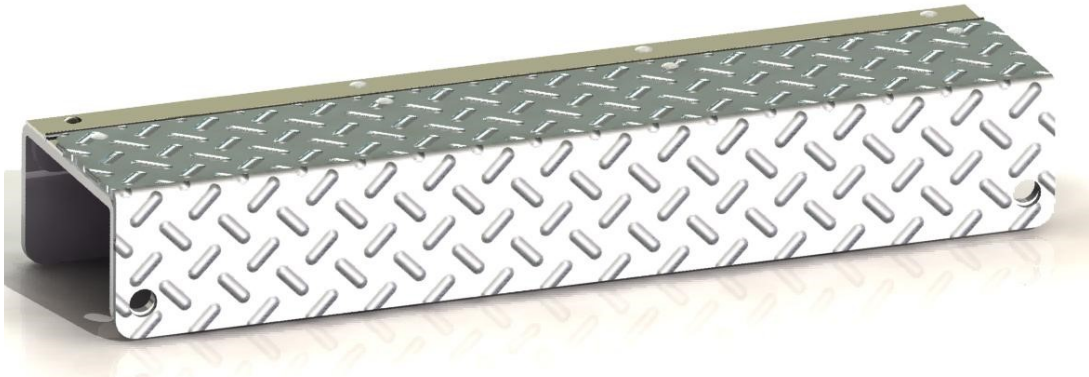
Part # 3328 (28" Long)

3/16" Steel with aluminum tread plate cover

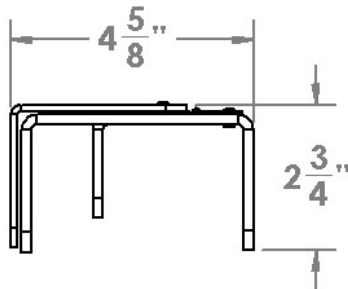
Part # AL3317 (17" Long)

Part # AL3321 (21" Long)

1/4" aluminum with aluminum tread plate cover



Part # 3317 Pictured



NEW PRODUCT!

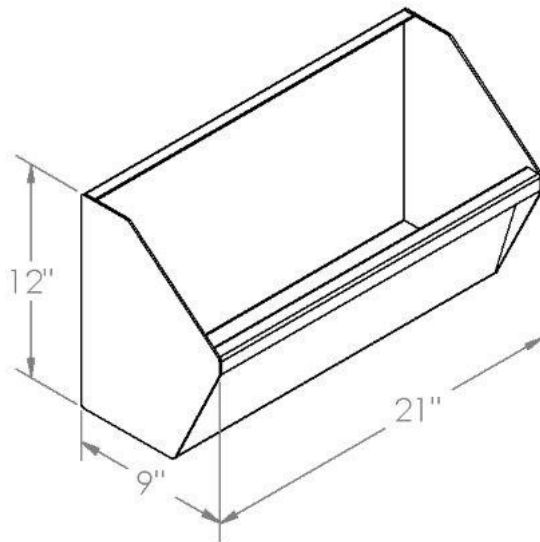
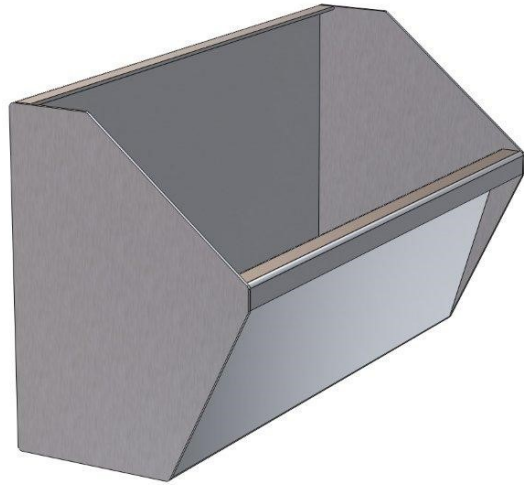
Also available powder coated gloss black

Part # 3317-PC (17" Long)

Part # 3321-PC (21" Long)

ALUMINUM CHAIN TRAY
Stores load chains
Fits under load binder hangers

Part # AL3342
Aluminum



LONGITUDINALLY MOUNTED CHAIN HANGER

Mounts on truck frame
Aluminum checker plate lid secured with 2 lynch pins
4 tapered flat bar hooks
Powder coated gloss black

Part # 3350

Steel with Aluminum Checker Plate Cover



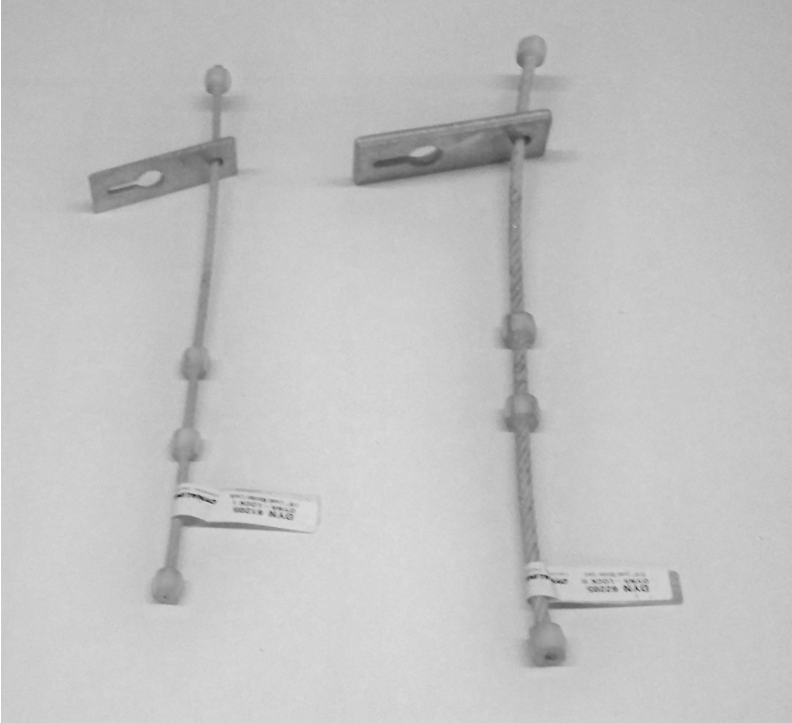
Overall Length: 33"



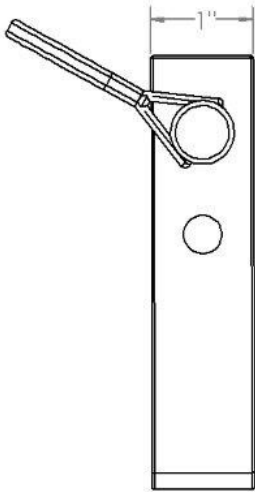
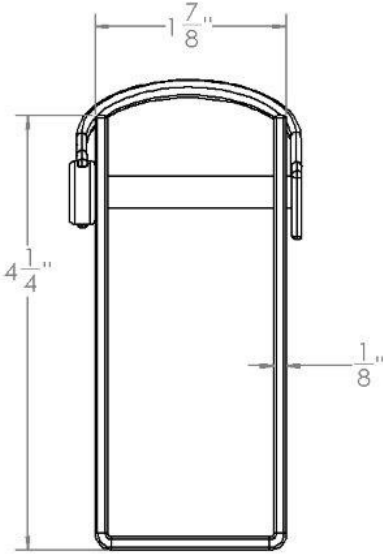
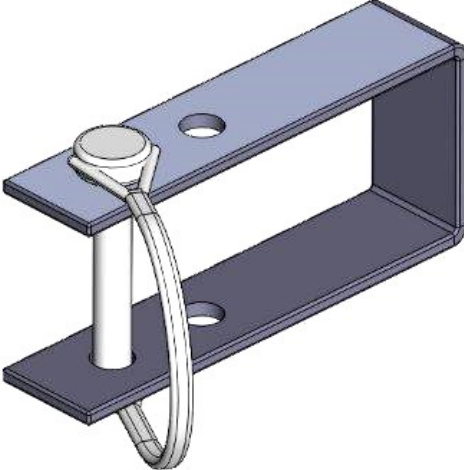
LOAD BINDER LOCK
Locks handles on load binders

Part # 61205 - 1/8"

Part # 62205 - 3/16"



Part # 66205
Steel
(Formerly Part #7510)



HOOKS AND LATCHES

For hanging and securing chains and other items

Aluminum latch is spring loaded and prevents items from coming off of hook.

(Hooks and latches are sold separately)

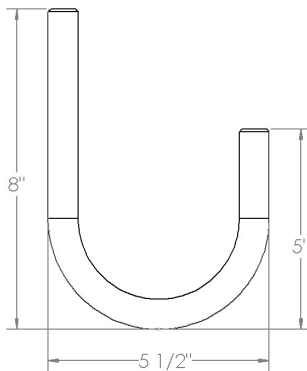
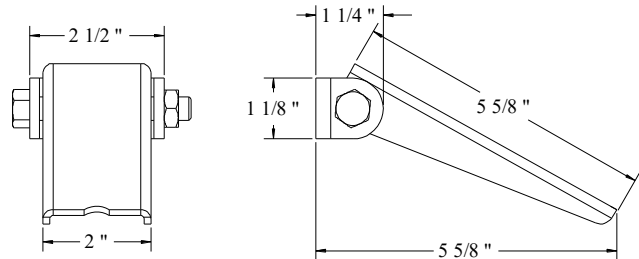
Part # 7220

(3/4" hook) Steel



Part # 7205

5-1/2" Aluminum Latch
with steel spring & bracket

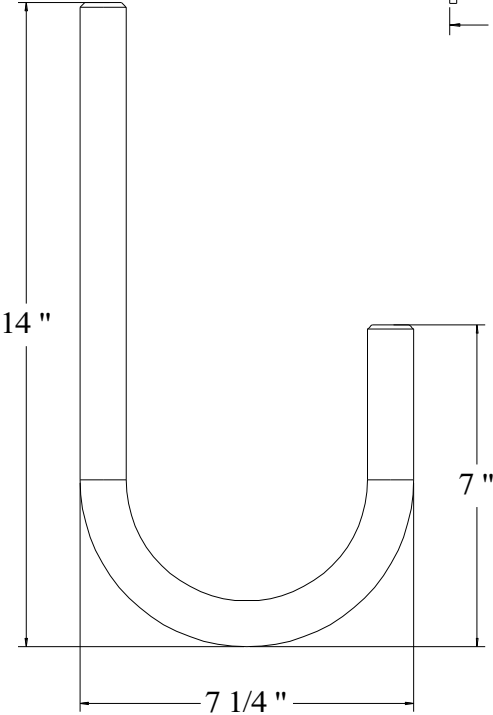


Hook and latch combination

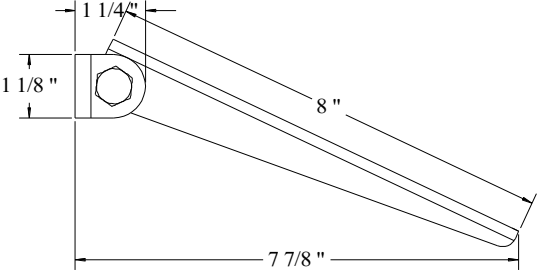
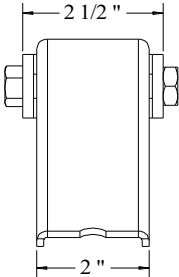
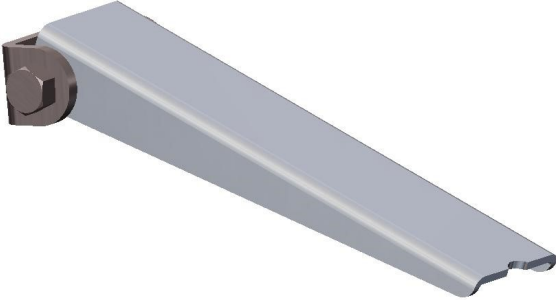


HOOKS AND LATCHES
Continued

Part # 7230
(1" hook) Steel



Part # 7207
8" Aluminum Latch
with steel spring & bracket



Hook and latch combination

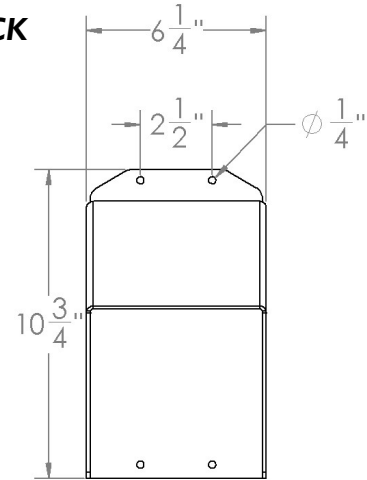
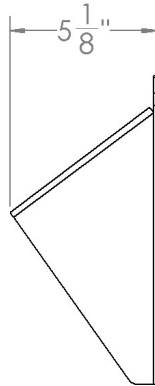
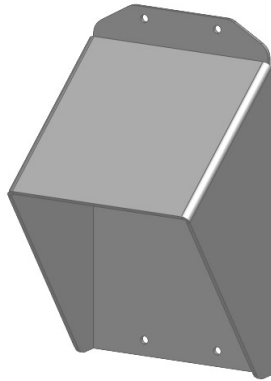


OUTDOOR RECEPTACLE COVER

Part # 8100

Steel

POWDER COATED GLOSS BLACK



HEATER DUCT RING, 12" DIAMETER

Flex duct adapter bracket for attaching 12" flexible duct on portable forced air heater

Part # 3828

Steel



WELD-ON HANDLES

Part # 7325
Steel, 3/4" Round



Part # 7312
Steel, 1/2" Round



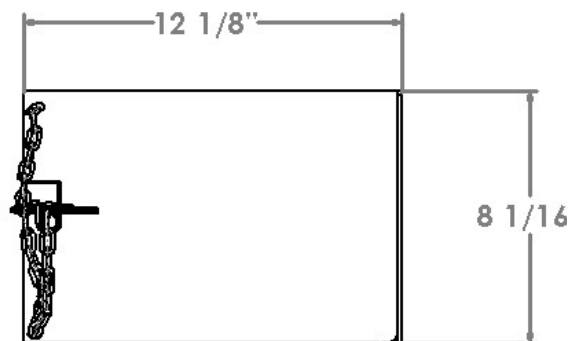
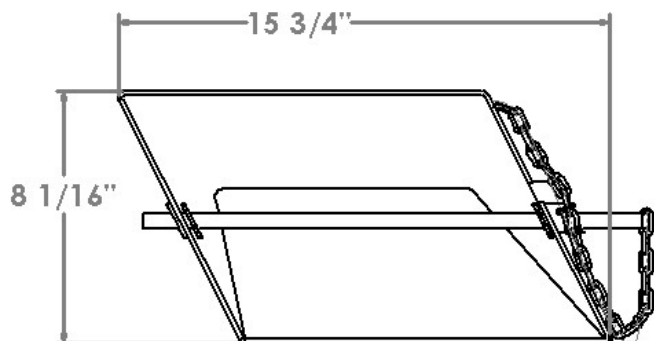
WHEEL CHOCK HOLDER

Part # 3705

Steel

NEW PRODUCT!

- 12 Gauge steel construction
- Mounts to frame/underbody of truck
- Hold (2) 10" x 8" x 6" standard wheel chocks
- Wheel chocks are secured by clip and pin
- Partially open back allows dirt to be pushed out
- Powder coated gloss black
- Wheel chocks not included



STACKABLE HEAVY DUTY STEEL & ALUMINUM SAWHORSE STANDS



- Stackable
- Available in steel and aluminum
- Steel sawhorses are powder coated
- Available in 25", 30", 32", and 36" heights
- Conforms to uneven floor surfaces
- Easily carried, 1 in each hand
- Available with extra accessories
- Capacities:

Steel	4500 lb
Aluminum	2000 lb

